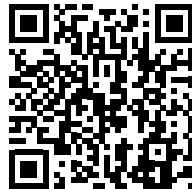
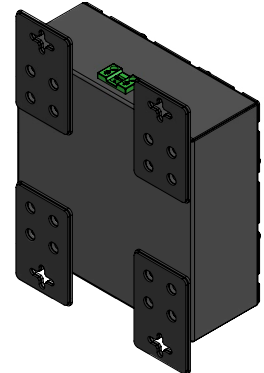
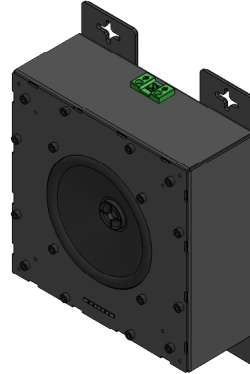
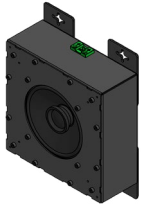




CINEMATELIER™ COLLECTION



**SCAN OR CLICK TO EXTEND
YOUR GARVAN WARRANTY FOR FREE!**

3 years included, with the option to add
2 extra years at no additional cost.

OVERVIEW DESCRIPTION – UNIQUE DESCRIPTION PRODUCT

The Garvan KA112H is a compact coaxial loudspeaker from the CinemAtelier™ Collection, designed for on-wall and on-ceiling applications where acoustic precision meets architectural design. With a closed-box configuration and a refined black lacquered metal cabinet, the KA112H delivers clear, detailed sound while blending seamlessly into residential or professional interiors. Its coaxial transducer ensures excellent phase coherence and a natural listening experience, making it ideal for immersive home cinema setups, conference rooms, and design-driven spaces that require both performance and aesthetics.

KEY FEATURES

Coaxial 2-way design: 130 mm woofer + 14 mm tweeter

Power handling: 50 W AES / 100 W continuous

Sensitivity: 89 dB (2.83V/1m) for accurate sound reproduction

Maximum SPL: 118 dB @ 1 m

Frequency response: 95 Hz – 20 kHz (–3 dB) with preset EQ

Coverage pattern: 110° (1–4 kHz) for wide and even dispersion

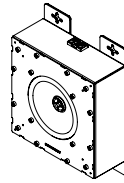
Closed-box cabinet: black lacquered metal for durability and discreet integration

Flexible installation: suitable for on-wall or on-ceiling mounting on concrete, plasterboard, wood, or modular panels

Indoor use with Phoenix connector, accepting 18 AWG to 11 AWG cables

Lightweight: 1.99 kg for easy installation

Extended warranty: 3+1+1 years with free registration



NAME INSTALLATION	CinemaAtelier
Type Installation	On-Wall / On-Ceiling Speaker, closed box
Surface Compatibility	Suitable for installation in, concrete wall, Plasterboard, wooden panels, modular panel, and similar.
Installation Requirements:	Support thickness suitable for product weight
SINGLE LOUDSPEAKER PERFORMANCE	
AES Power Handling	50 W
Continuous Power Handling ***	100 W
Sensitivity 2,83V / 1m ****	89 dB
Sensitivity 1W/1m ****	89 dB
Calculated Maximum SPL @ 1m*	118 dB
TRANSDUCER	
Type	Coaxial
Nominal size	WF 130 mm + TW 14mm
Nominal Impedance	8Ω
Loudspeaker EQ	Not required, Garvan Preset EQ, Filter and protection available
Recommended High-Pass Filter Protection	65 Hz with 48 dB/Oct. High pass Filter
Frequency Response (-3 dB)	95 Hz – 20 kHz **
Frequency Range (-10 dB)	60 Hz - 20 kHz **
Nominal Coverage Angle (1 KHz - 4 kHz)	110°
Nominal Coverage (1 KHz – 10 kHz)	90°
PHYSICAL	
Frame Material	Black lacquered metal cabinet
Speaker support Material	Black laquared metal support
Cover	NC
ENVIRONMENTAL FEATURES	
Environment of Use	Indoor environments
Operating Temperature Range *****	
environmental protection.	
Connectors	Phoenix connector. Accepts 18 AWG (0.8 mm ²) to 11 AWG (4,17 mm ²) size wire.
Maximum Ceiling Thickness	
Product Dimensions	
Ceiling Cutout	
Net Weight, Frame	
Net Weight, Loudspeaker	
Net Weight, Cover	

LOGISTICAL DATA			
Packaging dimensions			
Shipping Weight			
Quantity of products per package	1 to 2 based on logistics optimization per shipment		
MAINTENANCE			
Cleaning Method	microfiber cloth		
General precautions	do not use harsh cleaning products		
INCLUDED ACCESSORIES			
OPTIONAL ACCESSORIES			
Transformer for high line voltage	TRT052 – 70/100V - 25/37/50W		
Transformer for high line voltage	TRT054 – 70/100V - 10/15/20W		
Cover installation kit	GAR136		
Cable size/load	8 ohm	4 ohm	2 ohm
2 sq mm.	20m / 65ft.	10m / 32ft	5m / 16ft
2,5 sq mm.	30m / 100ft.	15m / 50ft	7,5m / 25ft
4 sq mm.	60m / 200ft.	30m / 100ft	15m / 50ft

NOTES:

* Maximum SPL calculated from sensitivity and power handling specifications, using a signal with crest factor 4 (12dB), exclusive of power compression.

** With dedicated preset

*** Power on Continuous Program is defined as 3 dB greater than the Nominal rating.

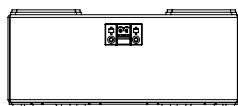
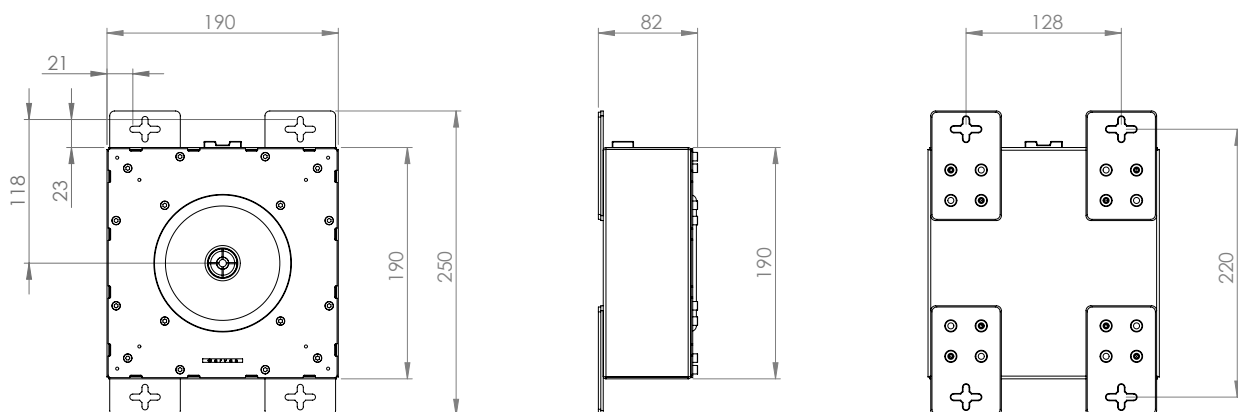
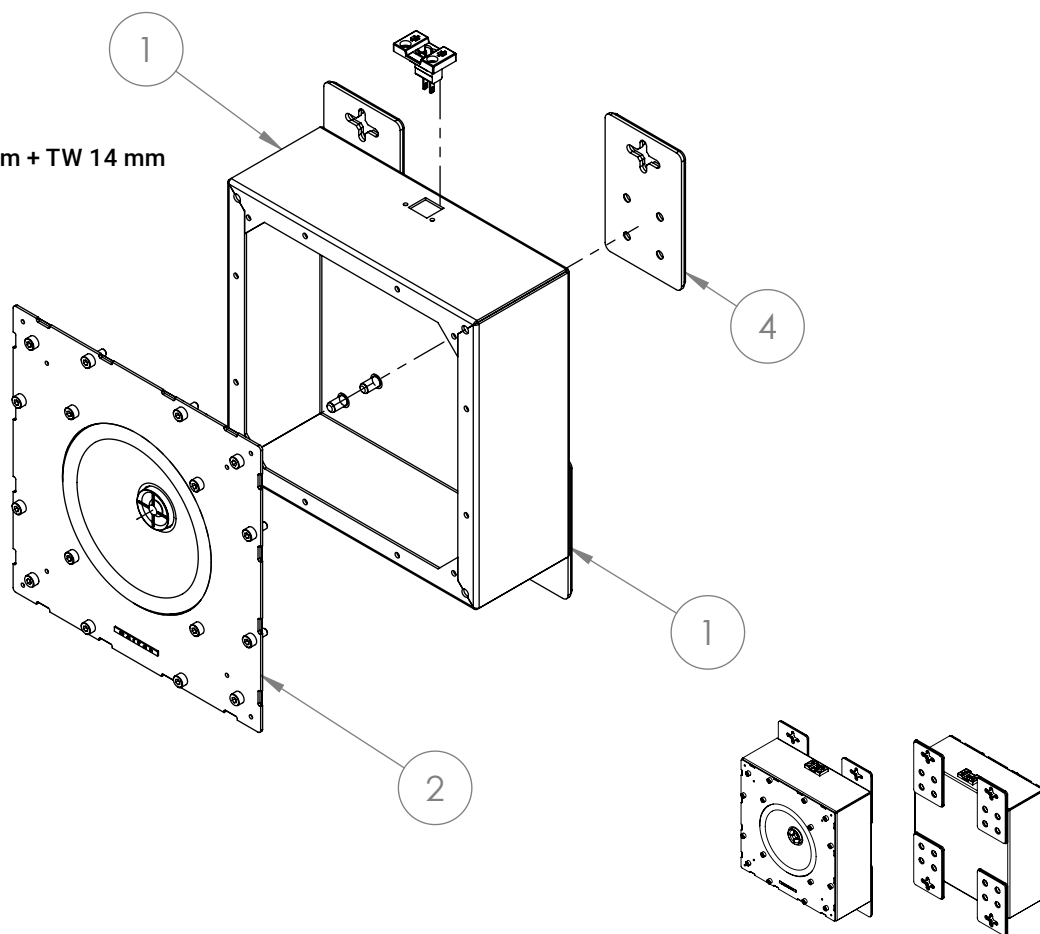
**** average SPL measured from 200 Hz to 1,5 kHz

***** With dedicated ignition and maintenance process

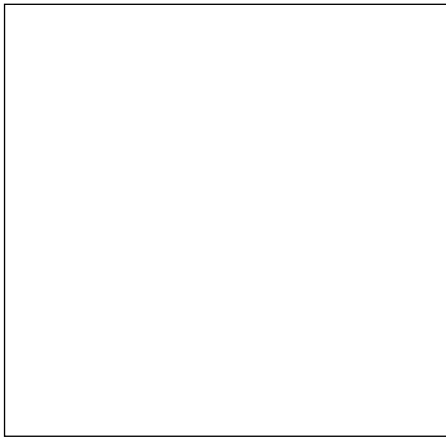
CINEMA CODES

1 Loudspeaker **KA112H**

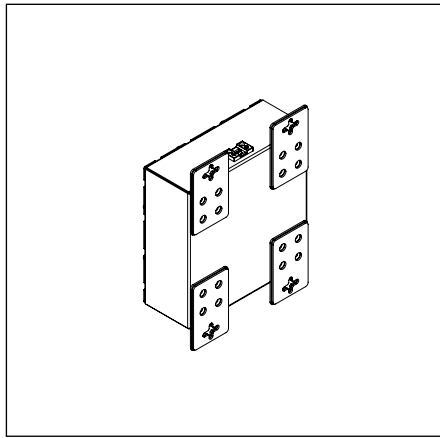
AES POWER **50 W**
 TYPE **COAXIAL**
 NOM. SIZE **WF 130 mm + TW 14 mm**
 NOM. IMP. **8Ω**



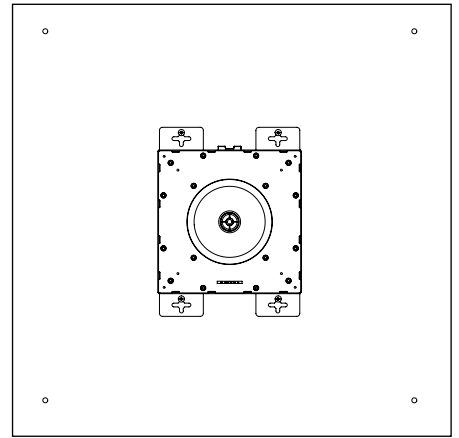
INSTALLATION INSTRUCTIONS KA112H Cinema



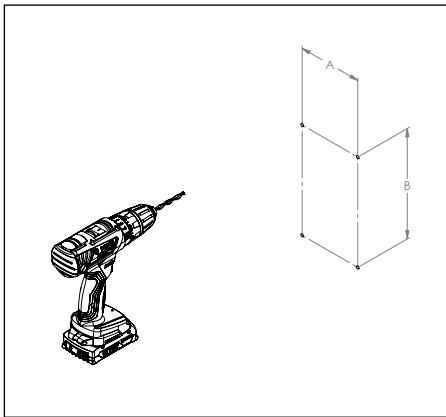
1 Jig set



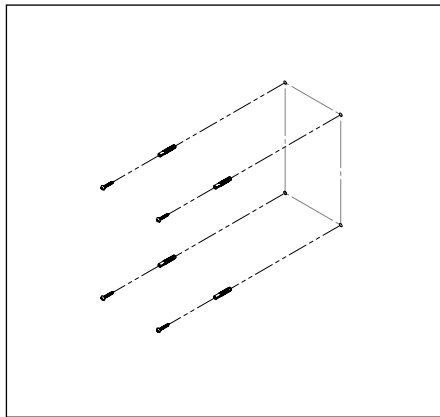
2



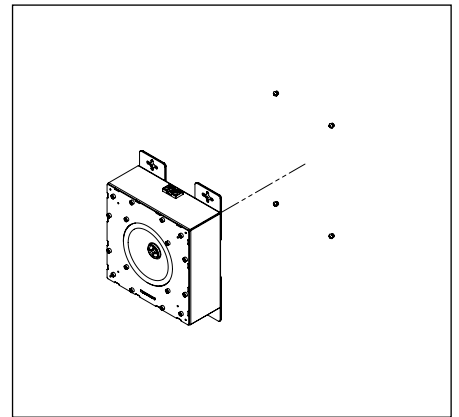
3



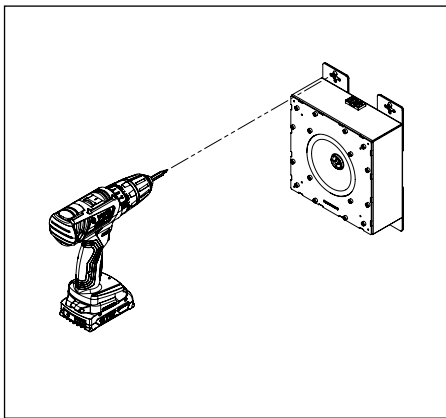
4



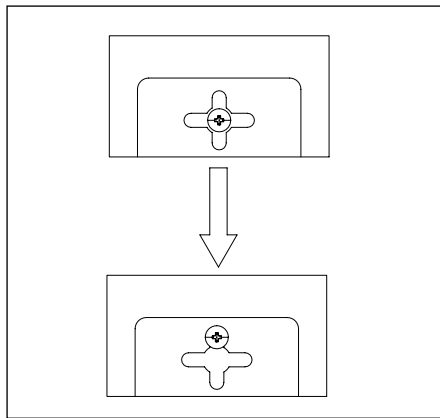
5



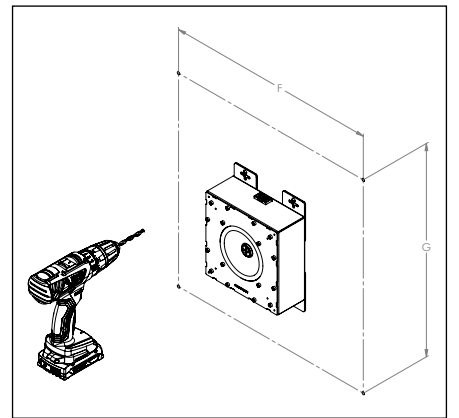
6



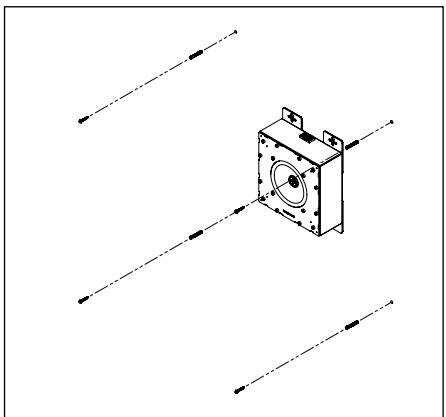
7



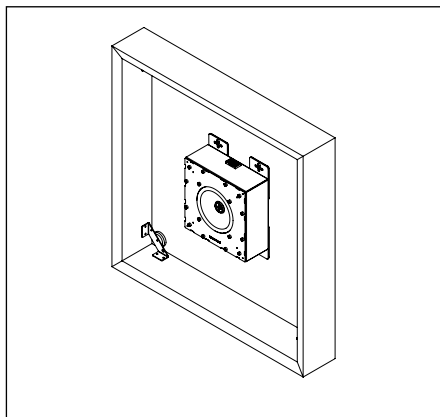
8



9



10



11