



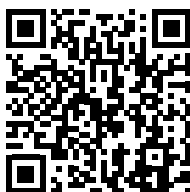
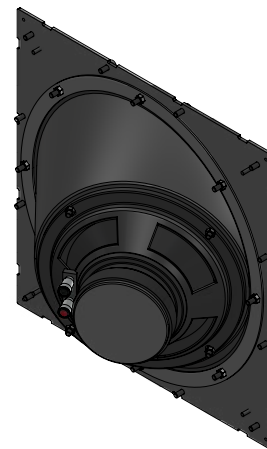
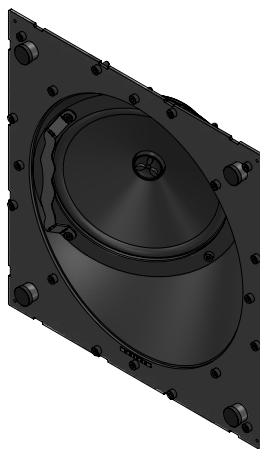
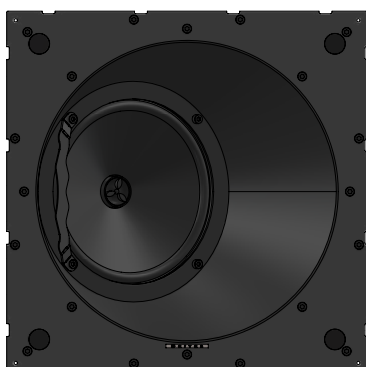
Plasterboard



Easy-Fit



Concrete wall



**SCAN OR CLICK TO EXTEND  
YOUR GARVAN WARRANTY FOR FREE!**  
3 years included, with the option to add  
2 extra years at no additional cost.

## OVERVIEW DESCRIPTION – UNIQUE DESCRIPTION PRODUCT

Coaxial Inclined, in-wall and in-ceiling 6.5" (160 mm), 100 W max, coaxial speaker with steel mounting frame and speaker body, designed for optimal performance and durability, even in harsh environments. This product supports recessed installation with various integration solutions, including FiloMuro™, suitable for plasterboard and masonry walls. The speaker is internally inclined by 30° and can be rotated 360° this allows for installation and later adjustment of the focus point. The 6.5" (160 mm) coaxial speaker features a magnetic assembly treated with cataphoresis to ensure corrosion resistance, a treated cellulose cone, a rubber surround, and a 0.5" (14 mm) neodymium tweeter concentrically aligned with the woofer for balanced, linear sound throughout the frequency range and excellent intelligibility of vocals. Connection to the amplifier is via spring-loaded terminals that can accommodate cables up to AWG14 gauge. The aesthetic cover is securely fastened by powerful neodymium magnets. The aesthetic cover is securely attached by powerful neodymium magnets. The grille cover can be customized in various materials, including perforated steel that can be painted white tinted or prepainted according to RAL or NCS codes and even treated with galvanic effects. In addition, fabric covers can be used, which are available in a wide selection of textures and colors as shown in Garvan's sample books.

## KEY FEATURES

**3" (76 mm) Full-Range Driver**

Delivers clear, natural sound with excellent speech intelligibility.

**Compact Power**

80 W max output and up to 111.5 dB SPL @ 1 m.

**Wide Frequency Range**

Covers 88 Hz – 20 kHz (-10 dB), suitable for background music and paging.

**Narrow Grille Design (30 mm)**

Slim visible frame for minimal visual impact.

**Steel Frame + Marine-Grade Backbox**

Durable construction ideal for long-term installations, even in humid conditions.

**FiloMuro™ Masonry Installation**

**Flush-mount system** for perfect integration in plastered brick or concrete walls.

**EasyFit™ System**

Tool-free installation on various surfaces (drywall, wood, metal, porcelain) 4–40 mm thick.

**Custom Aesthetic Integration**

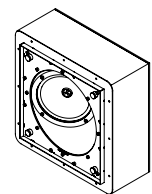
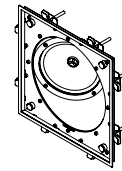
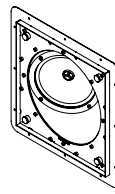
Interchangeable cover available in paintable steel, galvanic finishes, prints, or acoustic fabrics.

**Neodymium Magnetic Grille**

Ensures fast, secure and invisible grille attachment.

**Extended Warranty**

Includes 3+1+1 years of coverage, extendable at no additional cost.



| INSTALLATION NAME         | FlushMount™ Plasterboard  | EasyFit™  | FlushMount™ Concrete wall                               |
|---------------------------|---|---|---|
| Installation Type         | In Wall / In Ceiling Speaker, free air  | In Wall / In Ceiling Speaker, free air  | In Wall / In Ceiling Speaker, Closed box                |
| Surface Compatibility     | Suitable for installation in Plasterboard, wooden panels, modular panel, and similar. | Suitable for installation in Plasterboard, wooden panels, modular panel, and similar. | Suitable for installation in Concrete Wall and similar. |
| Installation Requirements | Required support thickness: 12,5-25mm   | Required support thickness: 4-40mm  | Minimum required wall thickness: 90mm                   |

**SINGLE LOUDSPEAKER PERFORMANCE**

|                               |        |        |        |
|-------------------------------|--------|--------|--------|
| AES Power Handling            | 50 W   | 50 W   | 50 W   |
| Continuous Power Handling *** | 100 W  | 100 W  | 100 W  |
| Sensitivity 2,83V / 1m ****   | 91 dB  | 91 dB  | 91 dB  |
| Sensitivity 1W/1m ****        | 91 dB  | 91 dB  | 91 dB  |
| Calculated Maximum SPL @ 1m*  | 120 dB | 120 dB | 120 dB |

**TRANSDUCER**

|   |   |   |   |
|---|---|---|---|
| Type                                    | Coaxial   | Coaxial   | Coaxial   |
| Nominal size                            | WF 160 mm + TW 14mm   | WF 160 mm + TW 14mm   | WF 160 mm + TW 14mm   |
| Nominal Impedance                       | 8Ω  | 8Ω  | 8Ω  |
| Loudspeaker EQ                          | Not required, Garvan Preset EQ, Filter and protection available | Not required, Garvan Preset EQ, Filter and protection available | Not required, Garvan Preset EQ, Filter and protection available |
| Recommended High-Pass Filter Protection | 60 Hz with 48 dB/Oct. High pass Filter                          | 60 Hz with 48 dB/Oct. High pass Filter                          | 55 Hz with 48 dB/Oct. High pass Filter                          |
| Frequency Response (-3 dB)              | 80 Hz - 20 kHz **   | 80 Hz - 20 kHz **   | 84 Hz - 20 kHz **   |
| Frequency Range (-10 dB)                | 60 Hz - 20 kHz  | 60 Hz - 20 kHz  | 56 Hz - 20 kHz **   |
| Nominal Coverage Angle (1 KHz - 4 kHz)  | 90°   | 90°   | 90°   |
| Nominal Coverage (1 KHz – 10 kHz)       | 90°   | 90°   | 90°   |

**PHYSICAL**

|                          |  |  |  |
|--------------------------|--|--|--|
| Frame Material           | zinc-plated metal  | zinc-plated metal  | "zinc-plated metal + phenolic multilayer wood"   |
| Speaker support Material | Lacquered or galvanic metal support  | Lacquered or galvanic metal support  | Lacquered or galvanic metal support  |
| Cover                    | Lacquered or galvanic metal Grille/ Brushed stainless steel Grille / Fabric covered frame. | Lacquered or galvanic metal Grille/ Brushed stainless steel Grille / Fabric covered frame. | Lacquered or galvanic metal Grille/ Brushed stainless steel Grille / Fabric covered frame. |

| <b>ENVIRONMENTAL FEATURES</b>                 |  |  |  |
|---|--|--|--|
| Environment of Use                            | Indoor environments  | Indoor environments  | Indoor environments  |
| Operating Temperature Range *****             |  |  |  |
| environmental protection.                     |  |  |  |
| Connectors                                    | Push connector, mounted on speaker. Accepts 18 AWG (0.8 mm <sup>2</sup> ) to 15 AWG (2,08 mm <sup>2</sup> ) size wire. | Push connector, mounted on speaker. Accepts 18 AWG (0.8 mm <sup>2</sup> ) to 15 AWG (2,08 mm <sup>2</sup> ) size wire. | Push connector, mounted on speaker. Accepts 18 AWG (0.8 mm <sup>2</sup> ) to 15 AWG (2,08 mm <sup>2</sup> ) size wire. |
| Maximum Ceiling Thickness                     |  |  |  |
| Product Dimensions                            |  |  |  |
| Ceiling Cutout                                |  |  |  |
| Net Weight, Frame                             |  |  |  |
| Net Weight, Loudspeaker                       |  |  |  |
| Net Weight, Cover                             |  |  |  |
| <b>LOGISTICAL DATA</b>                        |  |  |  |
| Packaging dimensions                          |  |  |  |
| Shipping Weight                               |  |  |  |
| Quantity of products per package              | 1 to 2 based on logistics optimization per shipment  | 1 to 2 based on logistics optimization per shipment  | 1 to 2 based on logistics optimization per shipment  |
| <b>MAINTENANCE</b>                            |  |  |  |
| Cleaning Method                               | microfiber cloth   | microfiber cloth   | microfiber cloth   |
| General precautions                           | do not use harsh cleaning products   | do not use harsh cleaning products   | do not use harsh cleaning products   |
| <b>INCLUDED ACCESSORIES</b>                   |  |  |  |
|   | Jig set  | Jig set  | Jig set  |
| <b>OPTIONAL ACCESSORIES</b>                   |  |  |  |
| Transformer for high line voltage             | TRT052 - 70/100V - 25/37/50W   | TRT052 - 70/100V - 25/37/50W   | TRT052 - 70/100V - 25/37/50W   |
| Transformer for high line voltage             | TRT054 - 70/100V - 10/15/20W   | TRT054 - 70/100V - 10/15/20W   | TRT054 - 70/100V - 10/15/20W   |
| Cover installation kit                        | GAR136   | GAR136   | GAR136   |
| Sound-absorbing material kit for installation |  |  |  |
| <b>Cable size/load</b>                        | <b>8 ohm</b>   | <b>4 ohm</b>   | <b>2 ohm</b>   |
| 2 sq mm.                                      | 20m / 65ft.  | 10m / 32ft   | 5m / 16ft  |
| 2,5 sq mm.                                    | 30m / 100ft.   | 15m / 50ft   | 7,5m / 25ft  |
| 4 sq mm.                                      | 60m / 200ft.   | 30m / 100ft  | 15m / 50ft   |

#### NOTES:

\* Maximum SPL calculated from sensitivity and power handling specifications, using a signal with crest factor 4 (12dB), exclusive of power compression.

\*\* With dedicated preset

\*\*\* Power on Continuous Program is defined as 3 dB greater than the Nominal rating.

\*\*\*\* average SPL measured from 200 Hz to 1,5 kHz

\*\*\*\*\* With dedicated ignition and maintenance process

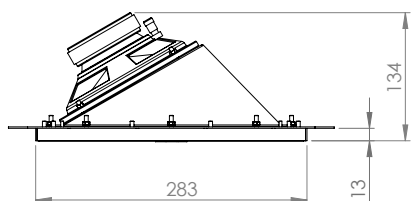
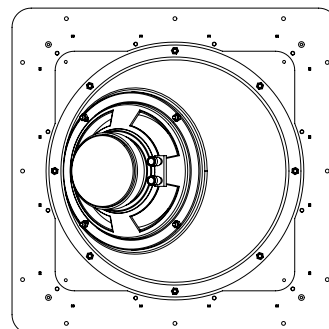
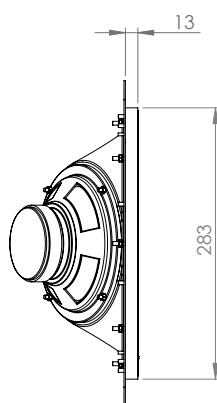
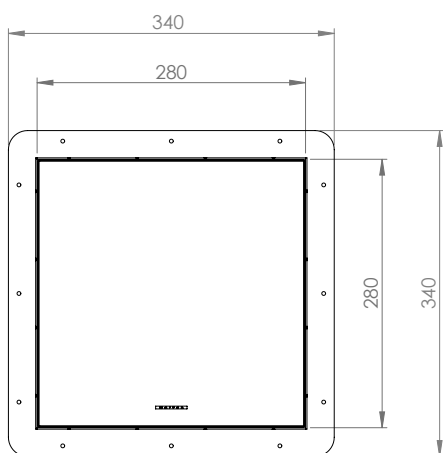
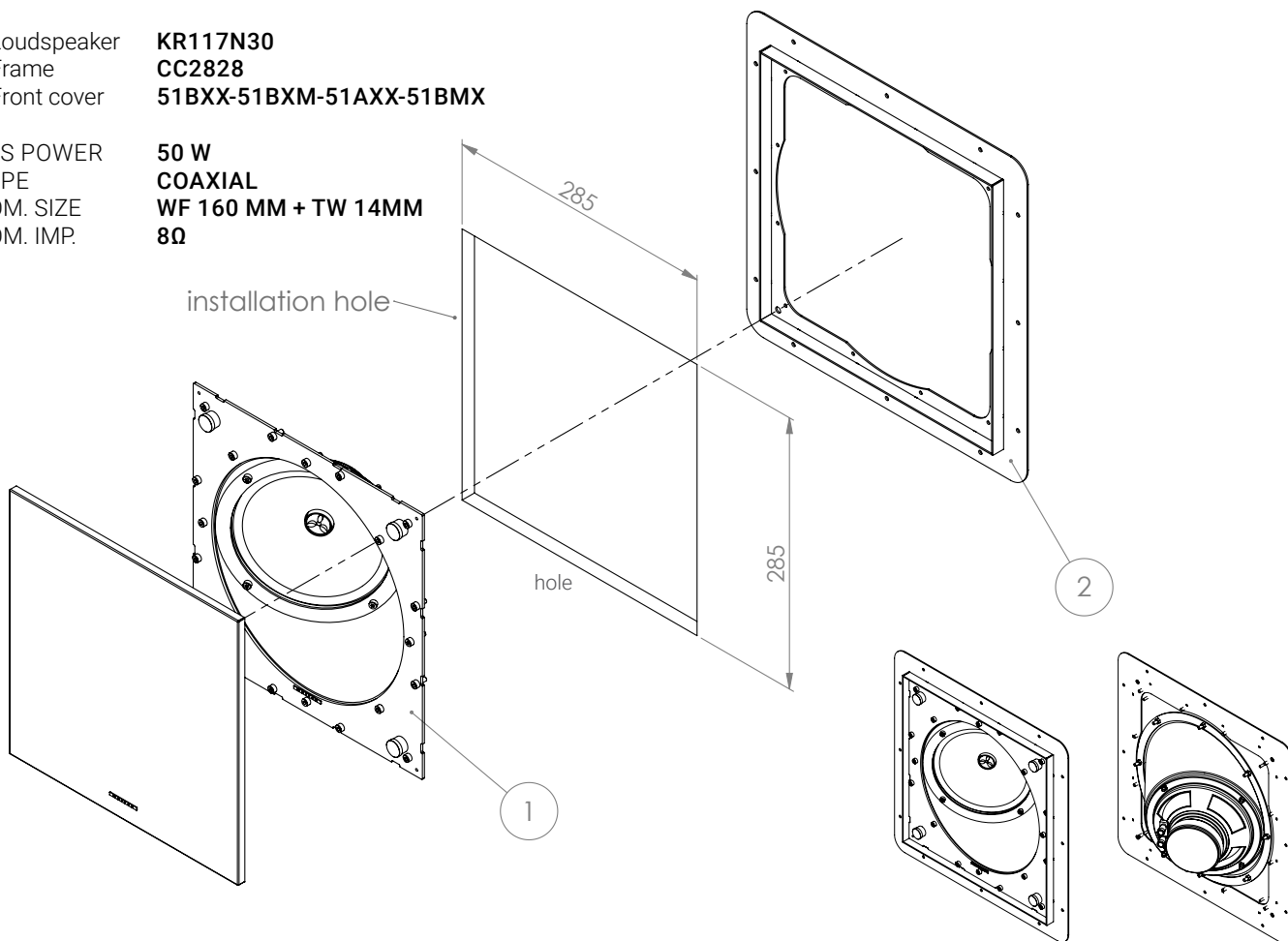
# KR117N30 / CC2828

## FLUSHMOUNT™ PLASTERBOARD PRODUCT SHEET

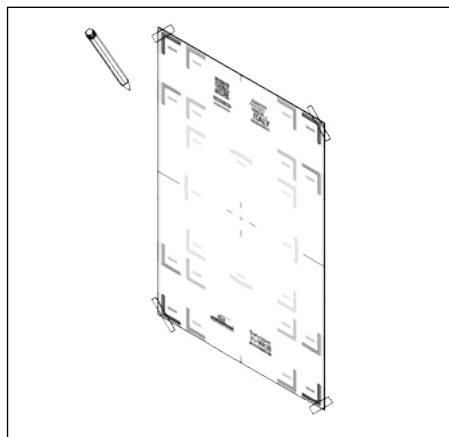
### FLUSHMOUNT™ CODES

1 Loudspeaker **KR117N30**  
 2 Frame **CC2828**  
 3 Front cover **51BXX-51BXM-51AXX-51BMX**

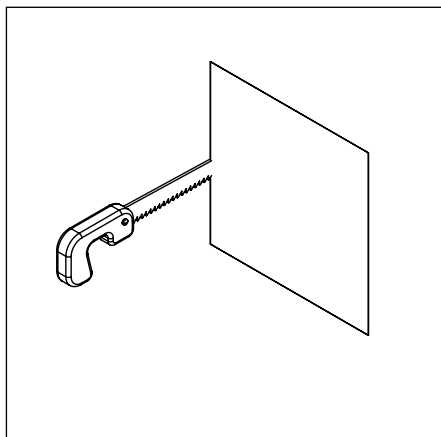
AES POWER **50 W**  
 TYPE **COAXIAL**  
 NOM. SIZE **WF 160 MM + TW 14MM**  
 NOM. IMP. **8Ω**



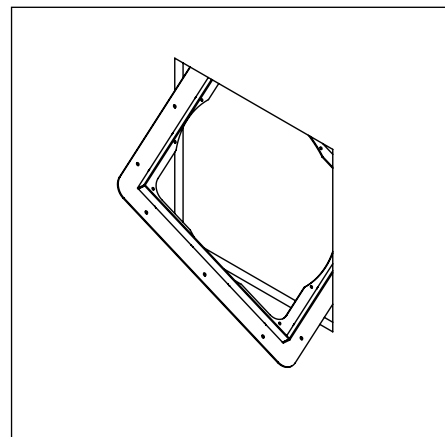
# INST. INSTRUCTIONS KR117N30 / CC2828 FlushMount™ Plasterboard



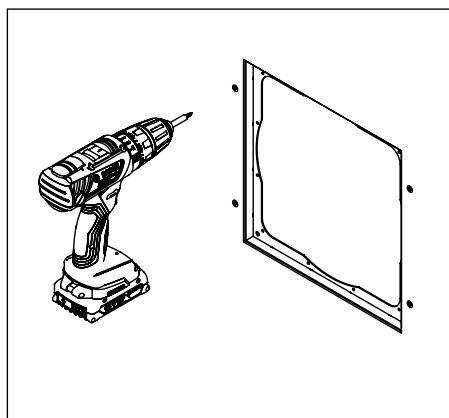
1 Jig set



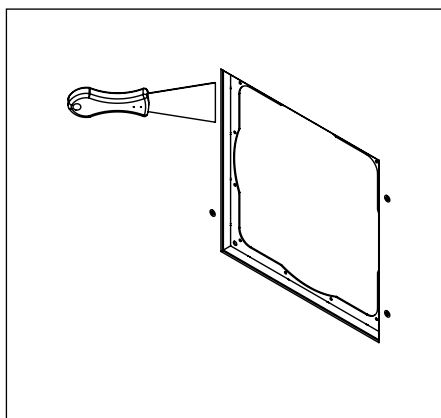
2



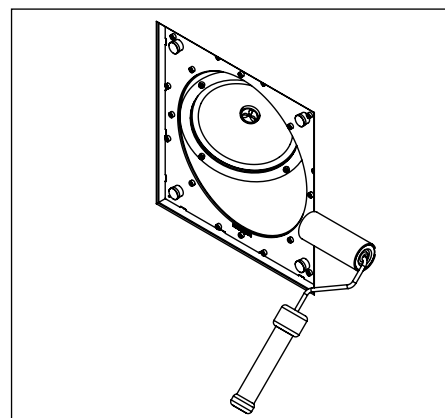
3



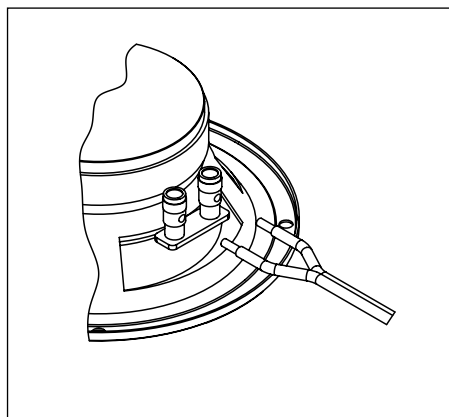
4



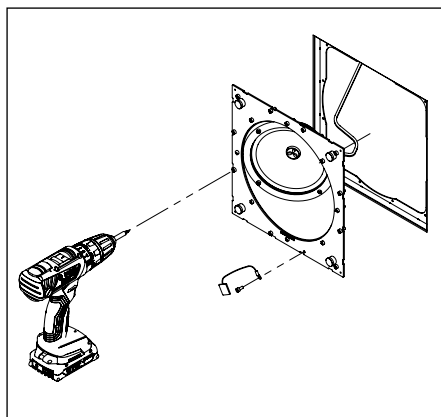
5



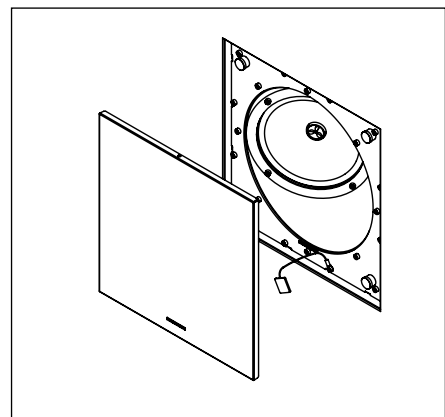
6



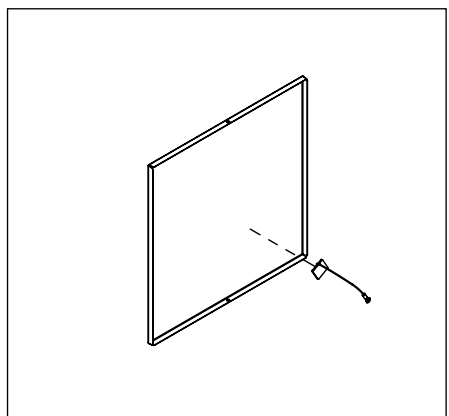
7



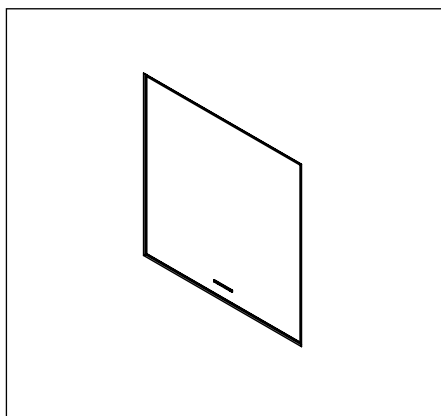
8



9



10



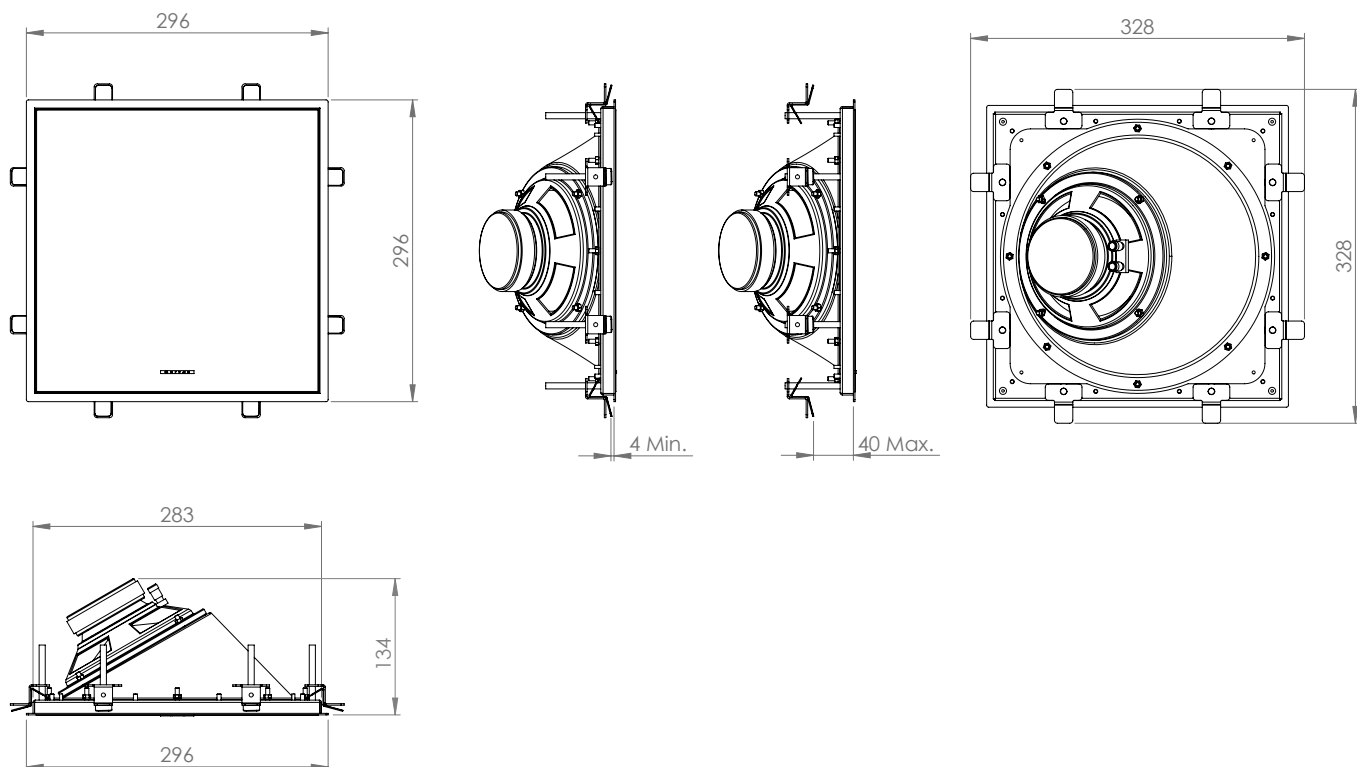
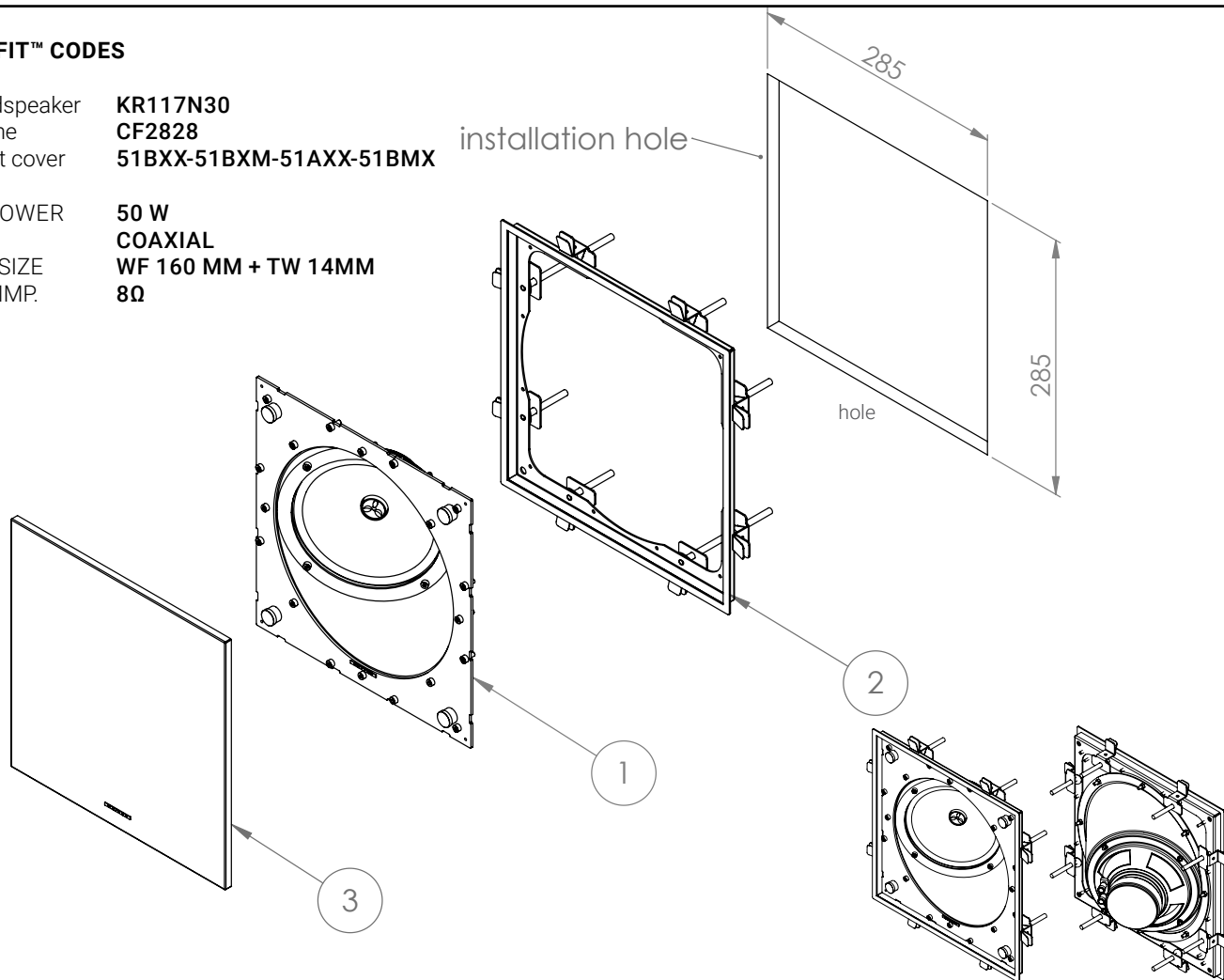
11



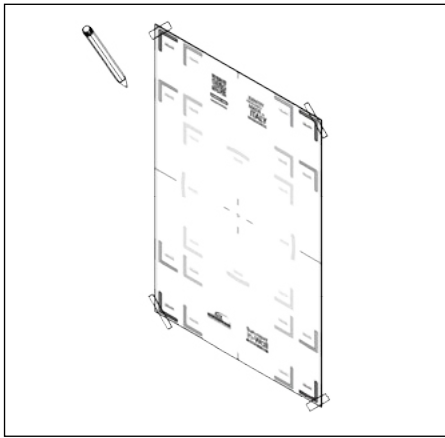
### EASYFIT™ CODES

1 Loudspeaker **KR117N30**  
 2 Frame **CF2828**  
 3 Front cover **51BXX-51BXM-51AXX-51BMX**

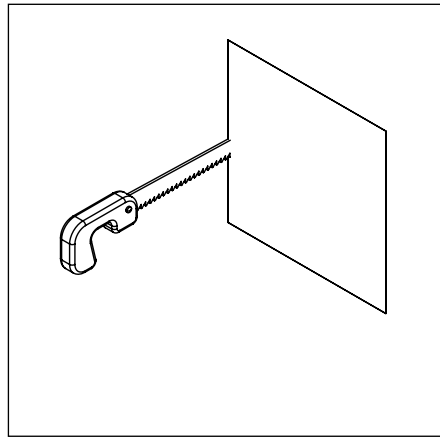
AES POWER **50 W**  
 TYPE **COAXIAL**  
 NOM. SIZE **WF 160 MM + TW 14MM**  
 NOM. IMP. **8Ω**



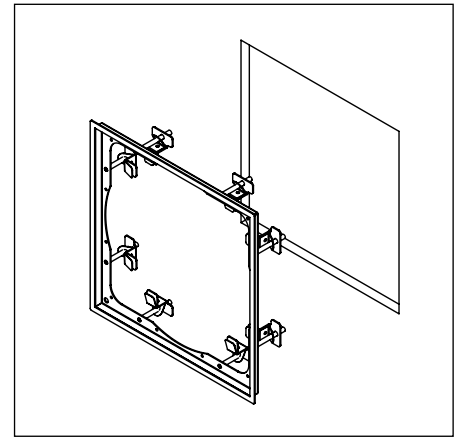
# INSTALLATION INSTRUCTIONS KR117N30 / CF282 Easyfit™



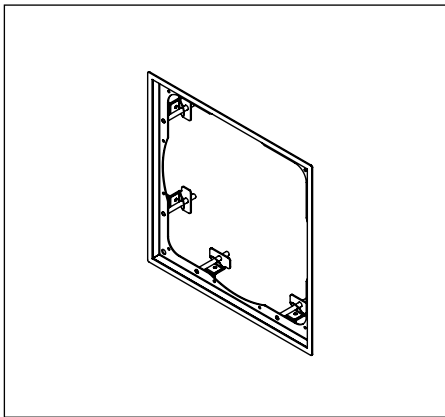
1 Jig set



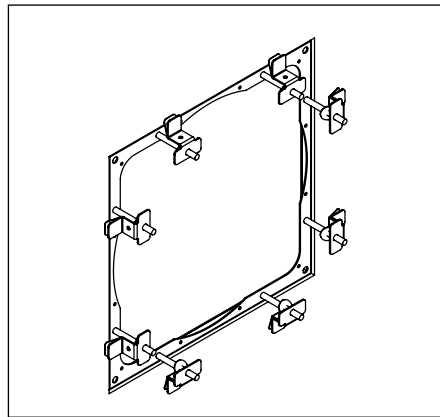
2



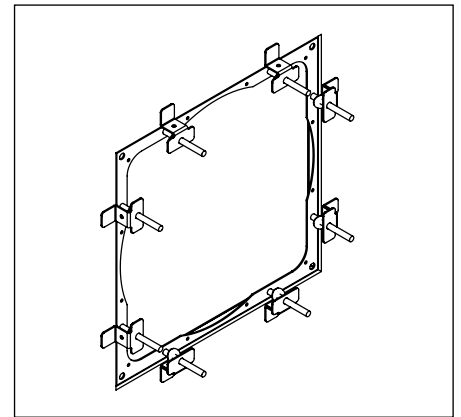
3



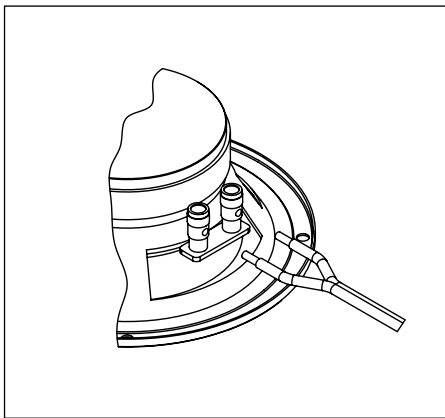
4



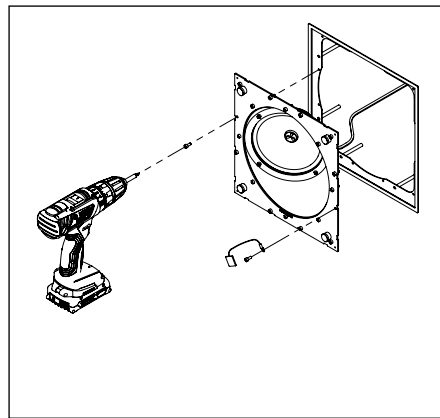
5



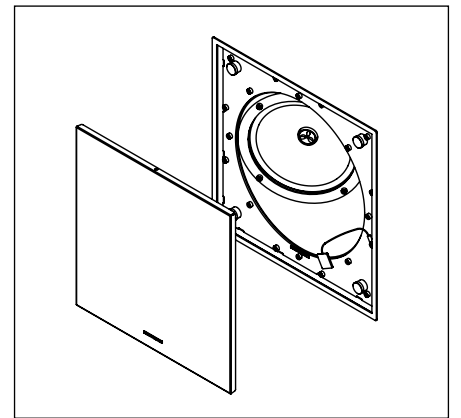
6



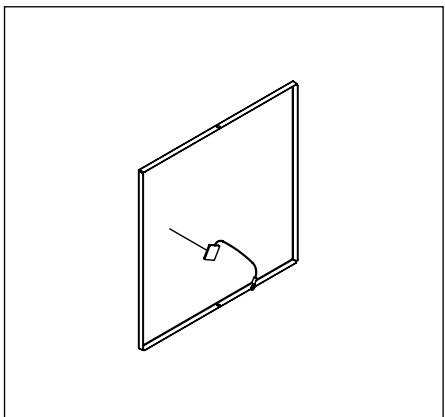
7



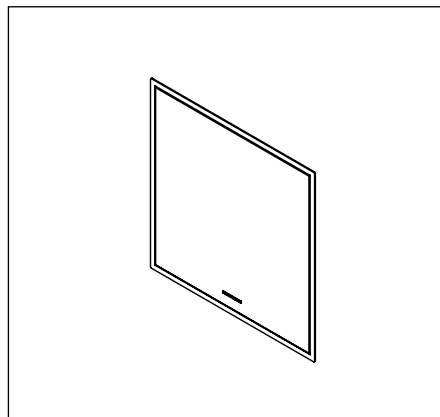
8



9



10



11



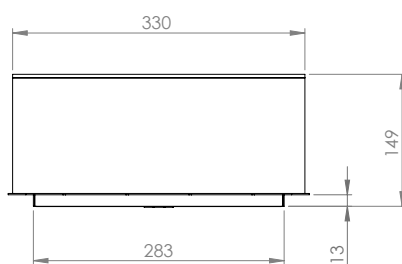
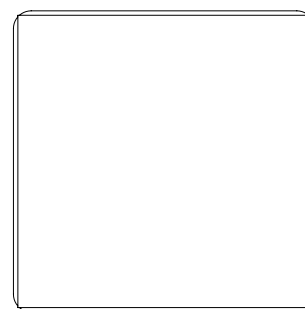
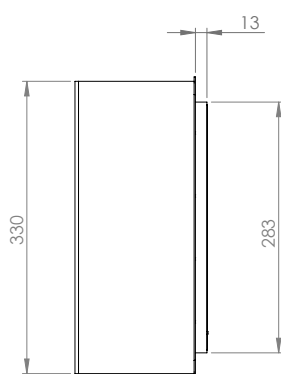
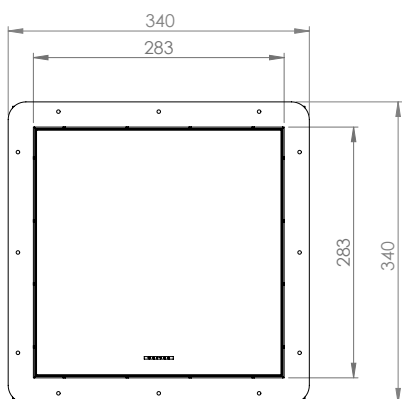
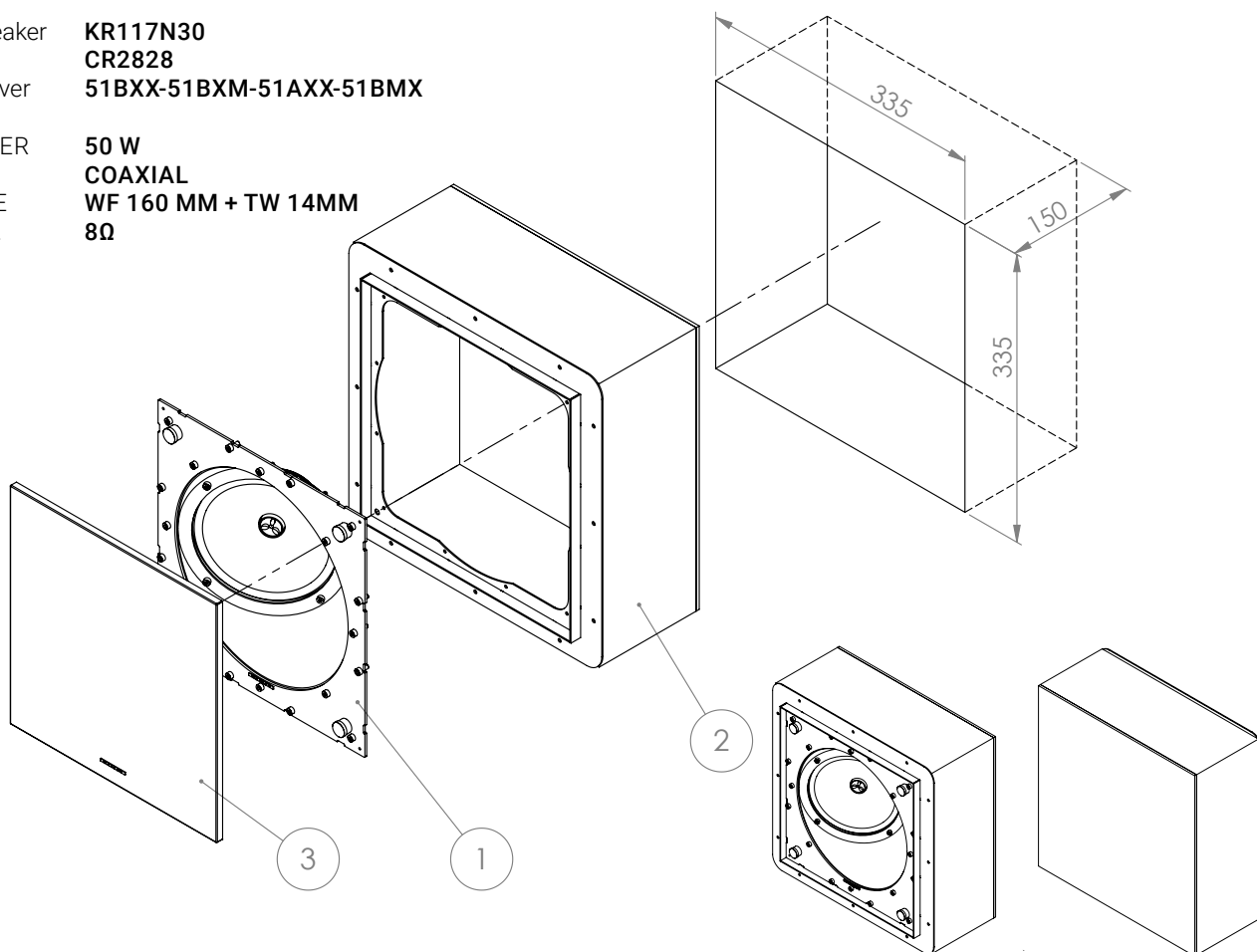
# KR117N30 / CR2828

## FLUSHMOUNT™ PLASTERBOARD PRODUCT SHEET

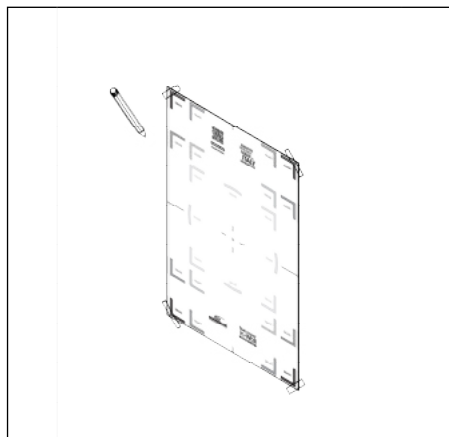
### FLUSHMOUNT™ CODES

1 Loudspeaker **KR117N30**  
 2 Frame **CR2828**  
 3 Front cover **51BXX-51BXM-51AXX-51BMX**

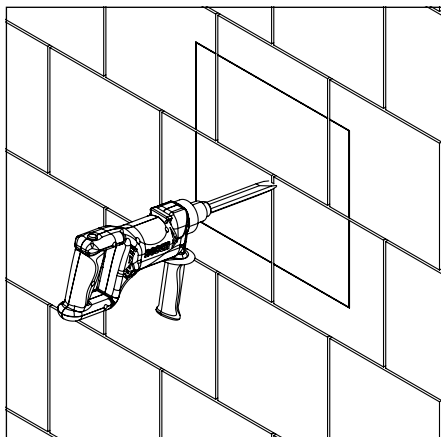
AES POWER **50 W**  
 TYPE **COAXIAL**  
 NOM. SIZE **WF 160 MM + TW 14MM**  
 NOM. IMP. **8Ω**



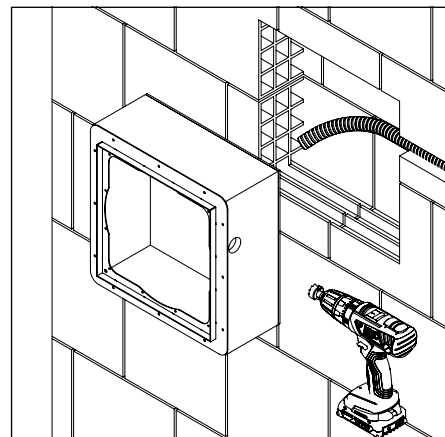
# INST. INSTRUCTIONS KR117N30 / CR2828 FlushMount™ Plasterboard



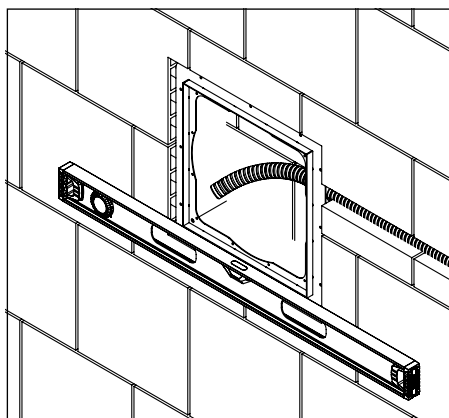
1 Jig set



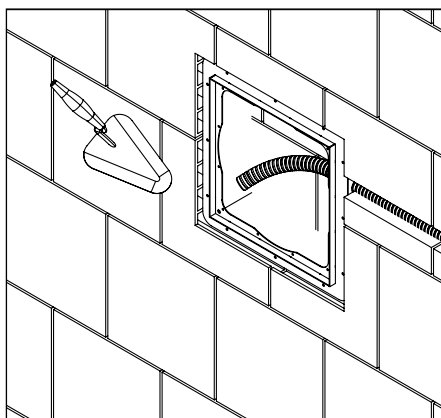
2



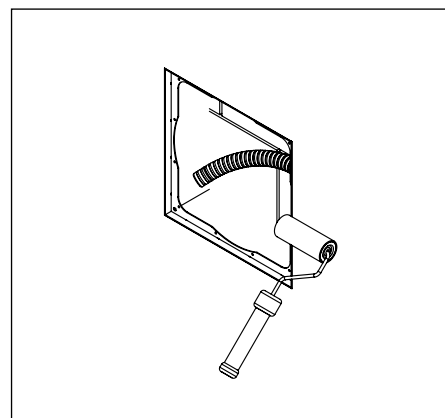
3



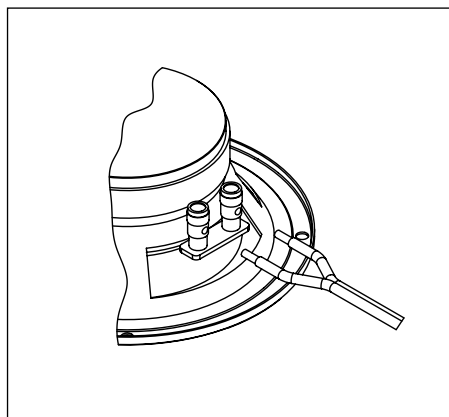
4



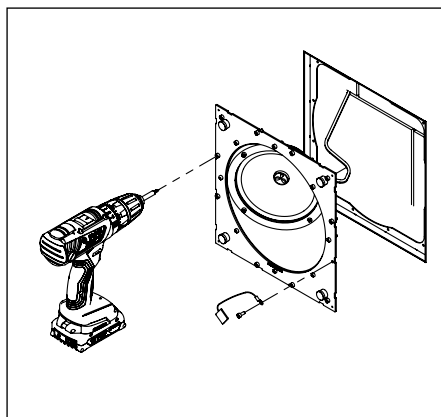
5



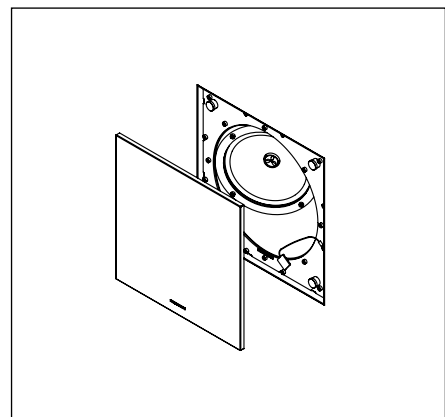
6



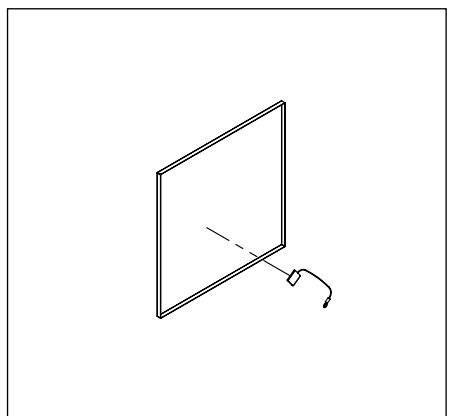
7



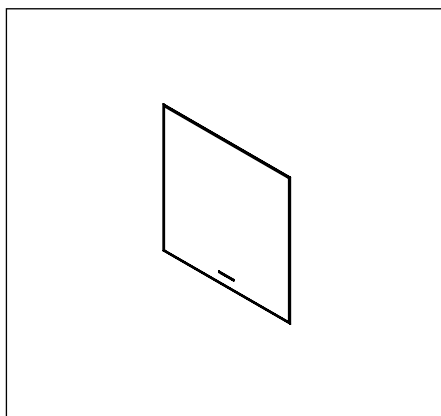
8



9



10



11







