



Concrete wall /
Plasterboard



**SCAN OR CLICK TO EXTEND
YOUR GARVAN WARRANTY FOR FREE!**

3 years included, with the option to add
2 extra years at no additional cost.

OVERVIEW DESCRIPTION – UNIQUE DESCRIPTION PRODUCT

6.5" (160 mm) 2-way wall and ceiling speaker, 300W max, with mounting frame and speaker body in aisi.316L stainless steel, backbox for masonry installation in marine phenolic plywood. Designed to guarantee great performance and durability even in very difficult environments such as saunas, swimming pools, boats, marine bathing establishments. This product supports FiloMuro™ recessed installation, suitable for plasterboard. The 6.5" (160 mm) woofer speaker is equipped with a ferrite magnet group, a treated cellulose cone, a rubber surround and a 0.8" (20 mm) treated silk dome tweeter for a full-bodied and balanced sound throughout the frequency range and excellent voice intelligibility. The connection to the amplifier is via spring terminals that can accommodate cables up to AWG11 gauge. The aesthetic cover is firmly fixed to the neodymium. The grill cover can be customized in various materials, including perforated steel that can be painted white or pre-painted according to RAL or NCS codes and even treated with galvanic effects.

KEY FEATURES

6.5" (160 mm) 2-Way System

Woofer with treated cellulose cone and 0.8" silk dome tweeter for balanced, full-bodied sound.

High Power Handling

150W AES, 300W continuous, with max SPL of 120.5 dB.

Wide Frequency Response

60 Hz – 20 kHz (-3 dB), extended range down to 50 Hz (-10 dB).

Marine-Grade Construction

AISI 316L stainless steel frame and marine-grade phenolic plywood backbox for maximum durability.

Harsh Environment Ready

Designed for saunas, swimming pools, boats, marine resorts, and outdoor installations.

Dustproof and waterproof, suitable for extreme environmental conditions.

FiloMuro™ Flush-Mount Installation

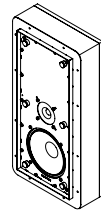
For both plasterboard and concrete walls, minimum wall depth 90 mm.

Easy Connection

Push terminals support cables up to AWG11 for quick and secure installation.

Extended Warranty

3+1+1 years warranty included, extendable for free.



INSTALLATION NAME	Flush-Mount™ Marine Plasterboard & Concrete wall
Installation Type	In Wall / In Ceiling Speaker, Closed box
Surface Compatibility	Suitable for installation in Plasterboard, wooden panels, modular panel, and similar.
Installation Requirements	Minimum required wall thickness: 90mm
SINGLE LOUDSPEAKER PERFORMANCE	
AES Power Handling	150 W
Continuous Power Handling ***	300 W
Sensitivity 2,83V / 1m ****	86,5 dB
Sensitivity 1W/1m ****	86,5 dB
Calculated Maximum SPL @ 1m*	120,5 dB
TRANSDUCER	
Type	2 Way
Nominal size	WF 160 + TW 20mm
Nominal Impedance	8Ω
Loudspeaker EQ	Not required, Garvan Preset EQ, Filter and protection available
Recommended High-Pass Filter Protection	45 Hz with 48 dB/Oct. High pass Filter
Frequency Response (-3 dB)	60 Hz – 20 kHz **
Frequency Range (-10 dB)	50 Hz – 20 kHz **
Nominal Coverage Angle (1 KHz - 4 kHz)	>120 °
Nominal Coverage (1 KHz – 10 kHz)	120 °
PHYSICAL	
Frame Material	"aisi.316L inox stainless steel + phenolic multilayer wood"
Speaker support Material	Lacquered or galvanic metal support
Cover	Lacquered or galvanic metal Grille/ Brushed stainless steel Grille / Fabric covered frame.
ENVIRONMENTAL FEATURES	
Environment of Use	For use in outdoor, marine, saunas and steam rooms
Operating Temperature Range *****	-25 °C to 70 °C (-13 °F to 158 °F)

environmental protection.	IP66
Connectors	Push connector, mounted on crossover and on speaker coax. Accepts 18 AWG (0.8 mm ²) to 11 AWG (4,17 mm ²) size wire.
Maximum Ceiling Thickness	
Product Dimensions	
Ceiling Cutout	
Net Weight, Frame	
Net Weight, Loudspeaker	
Net Weight, Cover	
LOGISTICAL DATA	
Packaging dimensions	
Shipping Weight	
Quantity of products per package	1 to 2 based on logistics optimization per shipment
MAINTENANCE	
Cleaning Method	microfiber cloth
General precautions	do not use harsh cleaning products
INCLUDED ACCESSORIES	
	Jig set
OPTIONAL ACCESSORIES	
Transformer for high line voltage	TRT052 - 70/100V - 25/37/50W
Transformer for high line voltage	TRT054 - 70/100V - 10/15/20W
Cover installation kit	GAR136
Sound-absorbing material kit for installation	
Cable size/load	8 ohm 4 ohm 2 ohm
2 sq mm.	20m / 65ft. 10m / 32ft 5m / 16ft
2,5 sq mm.	30m / 100ft. 15m / 50ft 7,5m / 25ft
4 sq mm.	60m / 200ft. 30m / 100ft 15m / 50ft

NOTES:

* Maximum SPL calculated from sensitivity and power handling specifications, using a signal with crest factor 4 (12dB), exclusive of power compression.

** With dedicated preset

*** Power on Continuous Program is defined as 3 dB greater than the Nominal rating.

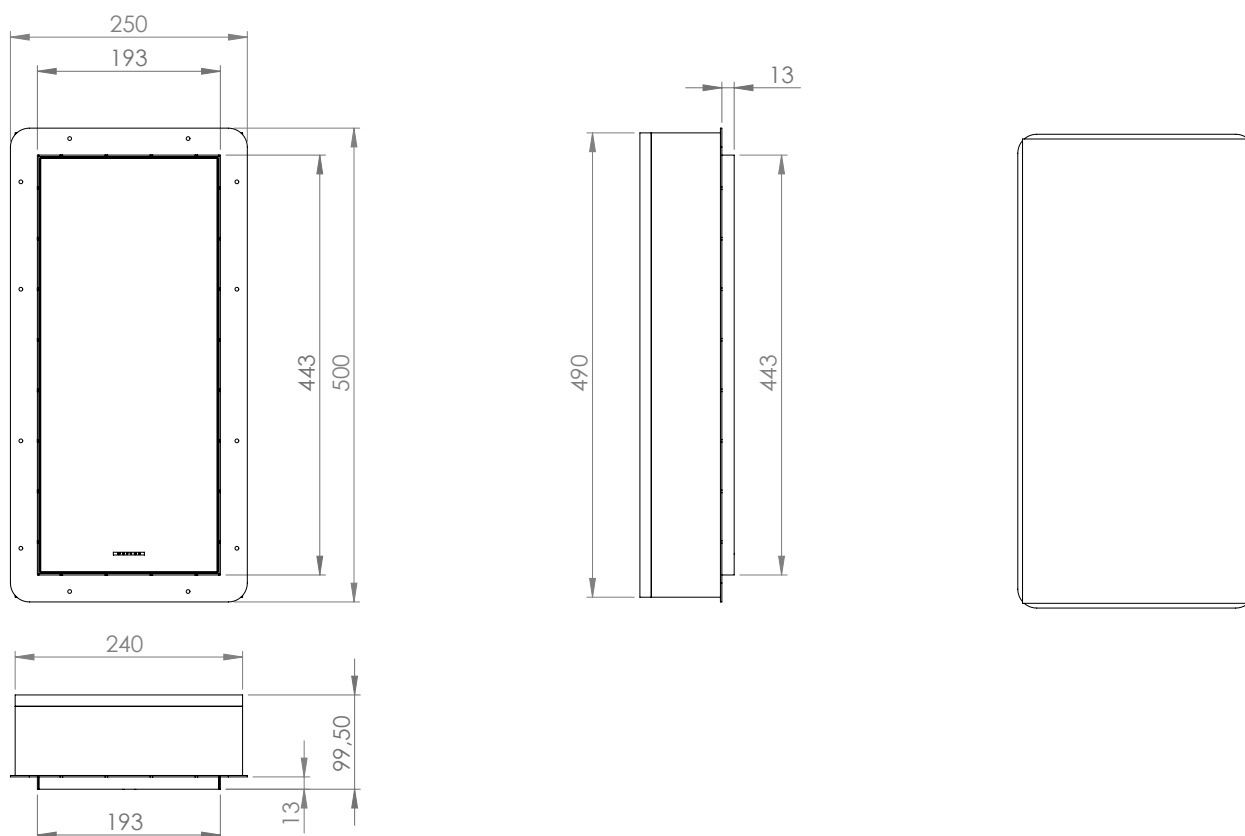
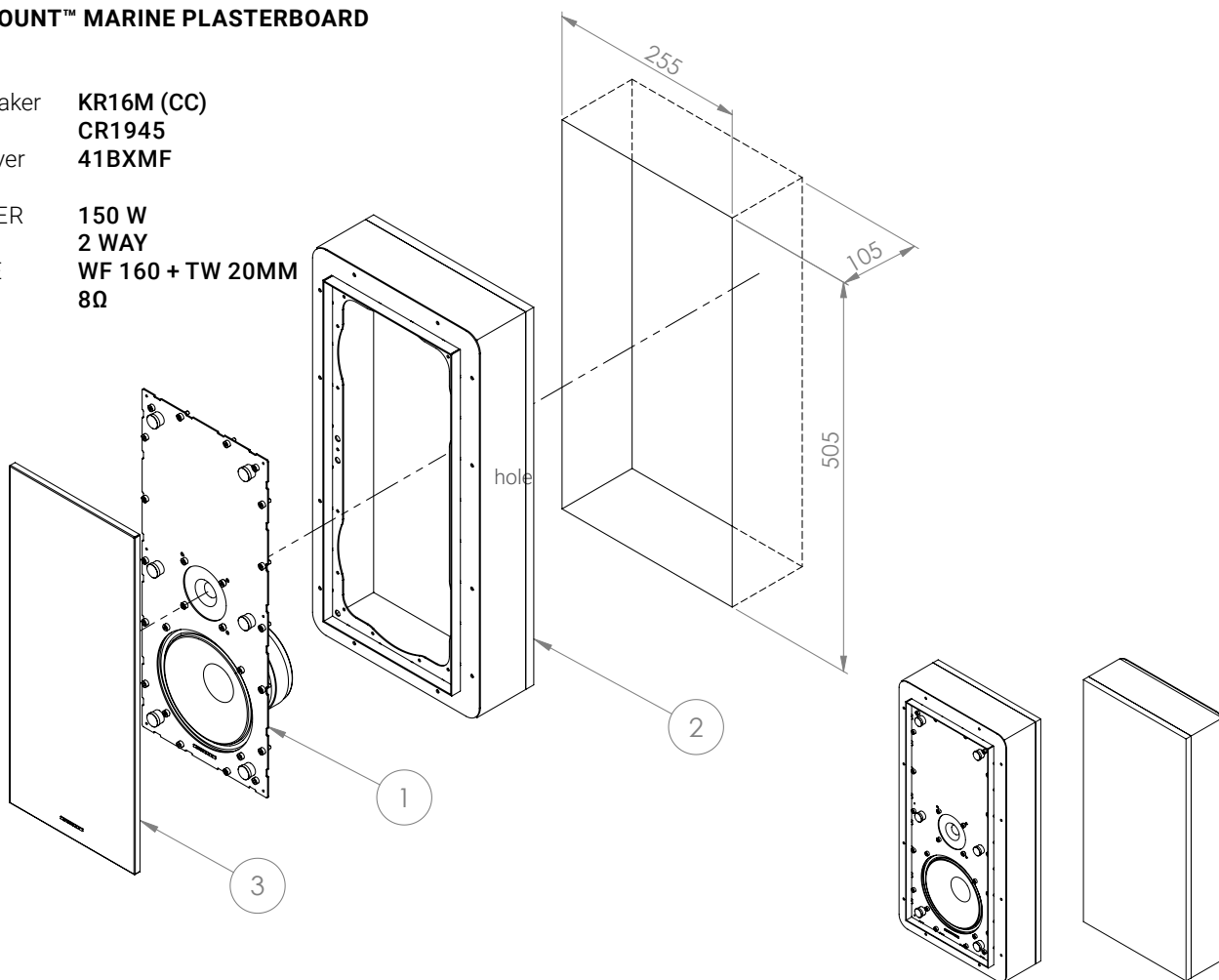
**** average SPL measured from 200 Hz to 1,5 kHz

***** With dedicated ignition and maintenance process

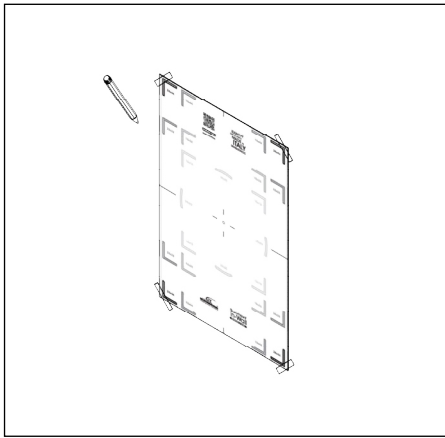
FLUSH-MOUNT™ MARINE PLASTERBOARD CODES

1 Loudspeaker **KR16M (CC)**
 2 Frame **CR1945**
 3 Front cover **41BXMFB**

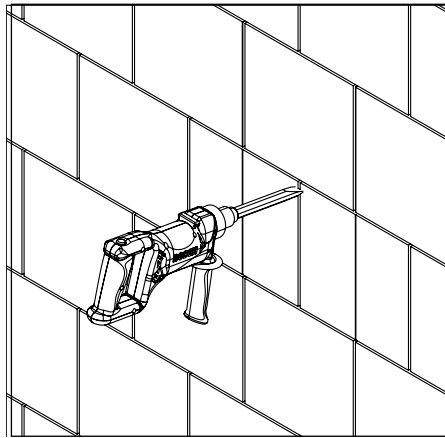
AES POWER **150 W**
 TYPE **2 WAY**
 NOM. SIZE **WF 160 + TW 20MM**
 NOM. IMP. **8Ω**



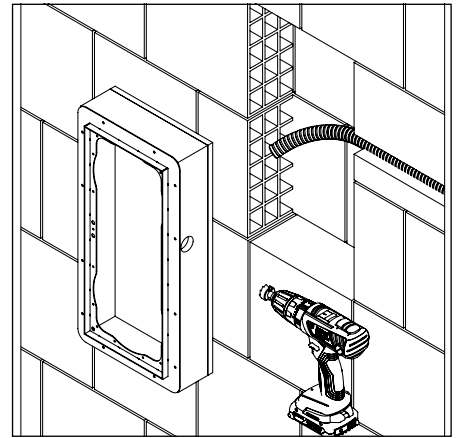
INST. INSTRUCTIONS KR16M / CR1944 Flush-Mount™ Marine Concrete wall



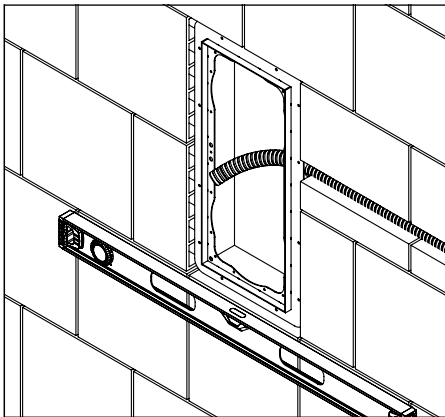
1 Jig set



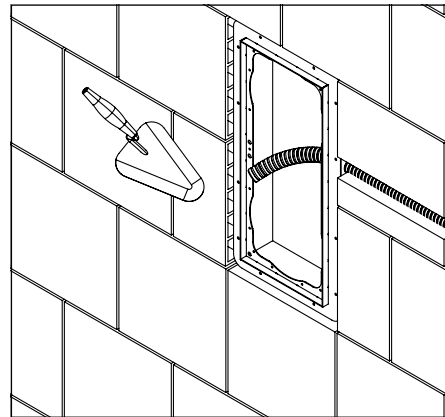
2



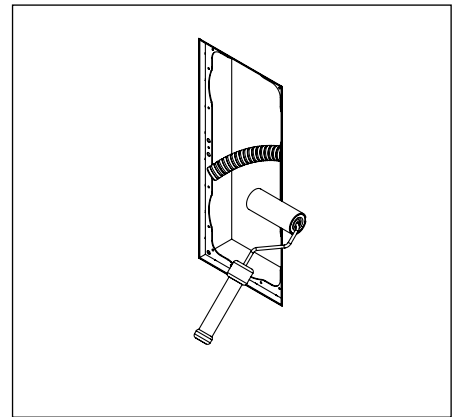
3



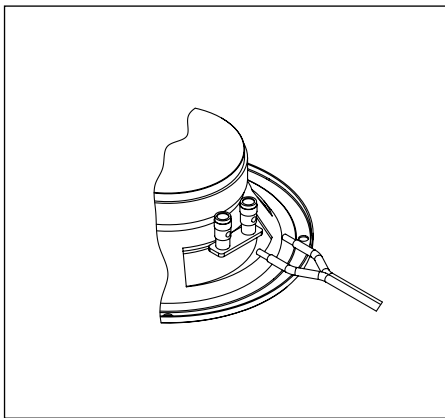
4



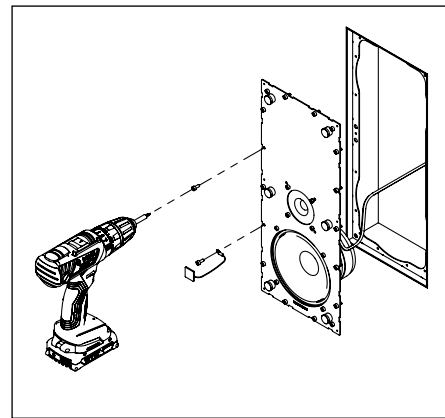
5



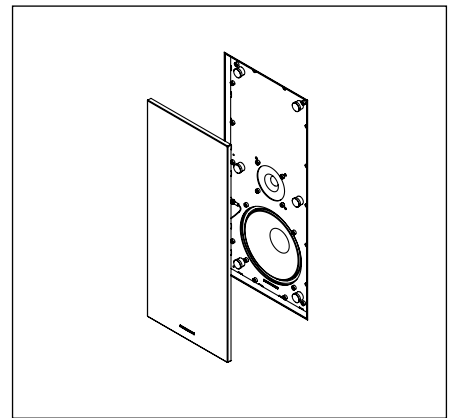
6



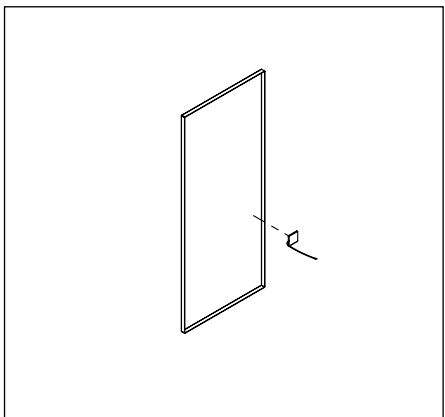
7



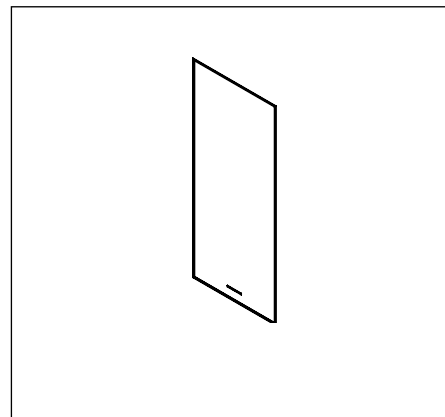
8



9



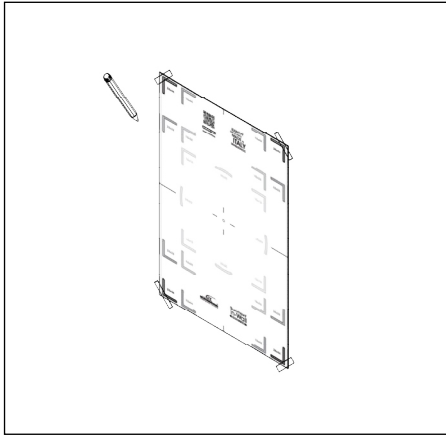
10



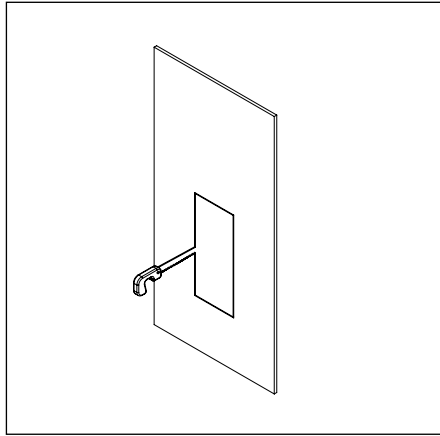
11



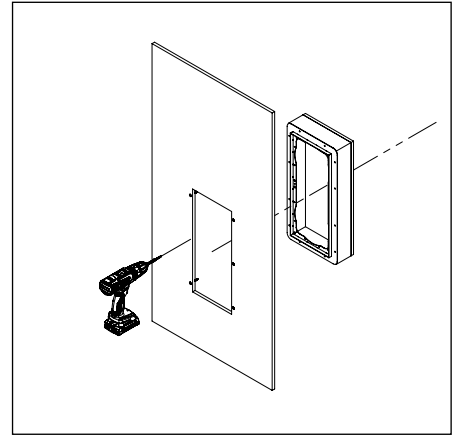
INST. INSTRUCTIONS KR16M / CR1945 Flush-Mount™ Marine Plasterboard



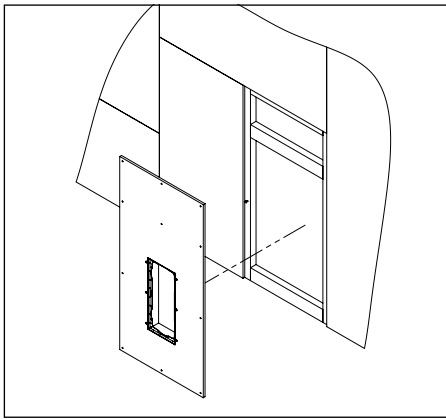
1 Jig set



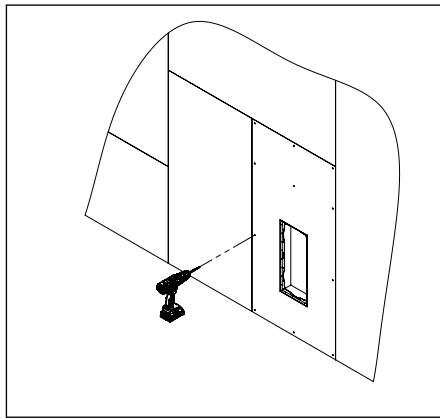
2



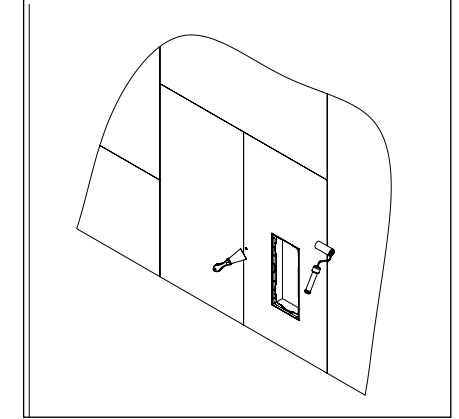
3



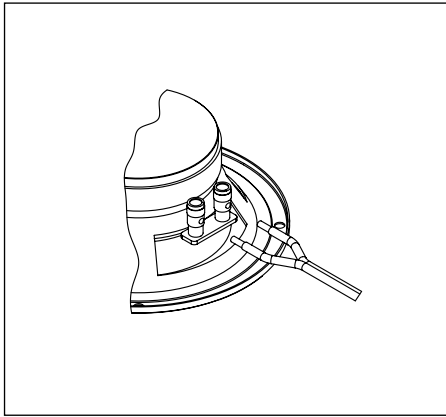
4



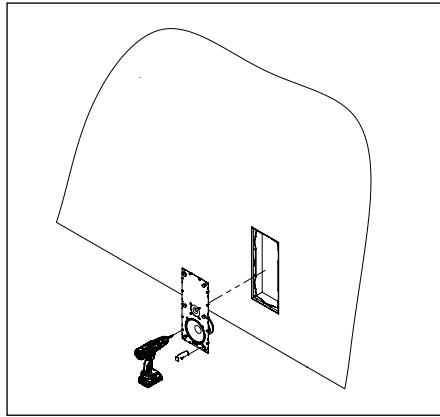
5



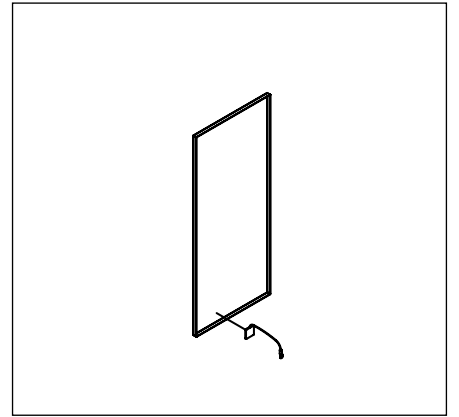
6



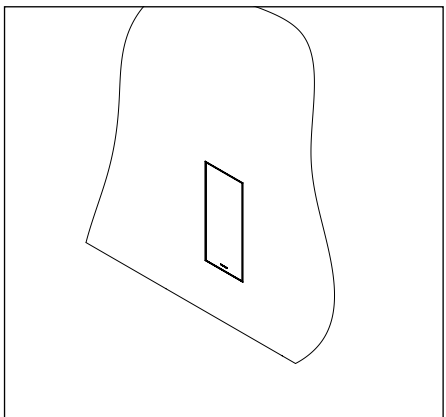
7



8



9



10

