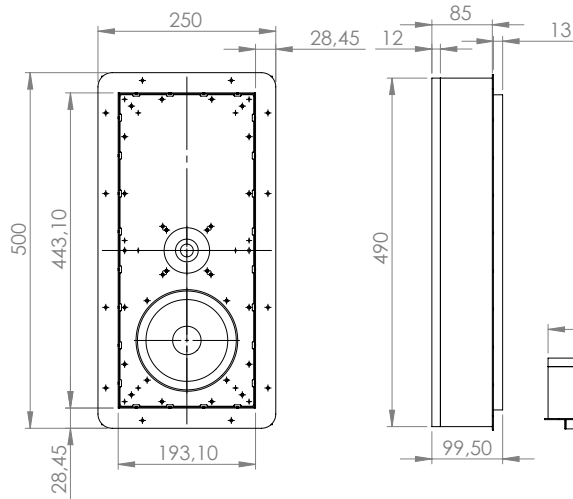


**KR16M****KR16V****IN-WALL FOR FLUSH-MOUNT INSTALLATION**

Minimum depth recommended

**White front cover**Code: **41BXM****Loudspeaker**Code (8 Ω): **KR16M**  
Code (70V / 100V): **KR16V****Backbox**Code: **CR1944****Dimensions HxWxD (cm)** 44,0 x 19,0 x 0,8**Weight (Kg)** 0,45**Finishes** White microperforated grille**Type** 2 way**Components** Dome Tw, rubber suspension Wf**Power RMS / Max (8 Ω)** 75 / 150**Power RMS W (70V / 100V)** 50,0 - 37,5 - 25,0**Freq. resp. (Hz)** 70 - 20k**Sensitivity dB (2,83V/1m)** 90**Nom. impedance (Ω)** 8**Protection** IP66  
**Temperature range (°C)** -20 / +100**Woofer Ø (cm)** 16,0 / 2,0  
**Tweeter voice coil Ø (cm)****Dimensions HxWxD (cm)** 44,0 x 19,0 x 7,8**Weight (Kg)** 2,31 / 2,71**Dimensions HxWxD (cm)** 50,0 x 25,0 x 10,0**Installation hole plasterboard** 44,5 x 19,5 x 10,0 **D2**  
HxWxD (cm)**Installation hole wall** 50,5 x 25,5 x 10,0 **D2**  
HxWxD (cm)**Weight (Kg)** 1,76**Materials** Stainless Steel + Wood**Marine Grille****Marine Speaker****Marine Steel Frame****Wall****Plasterboard**

# 70 / 100V Line Toroidal transformer G-Former™



## Wiring Cablaggio Câblage Verdrahtung

Connect to speaker  
*Connessione al diffusore*  
Connexion à l'enceinte  
*Verbindung zum Lautsprecher*

Connect to amplifier  
*Connessione all'amplificatore*  
Connexion à l'amplificateur  
*Verbindung zum Verstärker*

0	Violet <i>Viola</i> Violet <i>Violett</i>	50 W	Brown <i>Marrone</i> Marron <i>Braun</i>
---	--	------	---

100 V	White <i>Bianco</i> Blanc <i>Weiß</i>	37,5 W	Red <i>Rosso</i> Rouge <i>Rot</i>
-------	--	--------	--

70 V	Green <i>Verde</i> Vert <i>Grün</i>	25 W	Blue <i>Blu</i> Bleu <i>Blau</i>
------	--	------	---

Common <i>Comune</i> Câble commun <i>Gemeinsames Kabel</i>	Black <i>Nero</i> Noir <i>Schwarz</i>
---	--

## Specifications

Nominal power (W) <i>Potenza nominale (W)</i> Puissance nominale (W) <i>Nennleistung (W)</i>	50
---	----

Input voltage (V) <i>Tensione d'ingresso (V)</i> Tension d'entrée (V) <i>Eingangsspannung (V)</i>	70 / 100
--	----------

Frequency response (Hz) <i>Risp. in frequenza (Hz)</i> Rép. en fréquence (Hz) <i>Frequenzgang (Hz)</i>	40 - 21K
---	----------

Output power on 8 Ω (W) <i>Potenza di uscita su 8 Ω (W)</i> Puissance de sortie sur 8 Ω (W) <i>Ausgangsleistung auf 8 Ω (W)</i>	50,0 37,5 25,0
--	----------------------

Dimensions H x W x D (cm) <i>Dimensioni A x L x P (cm)</i> Dimensions H x L x P (cm) <i>Abmessungen H x B x D (cm)</i>	3,1 x 6,6 x 6,6
---	-----------------

IP Code Grado di protezione IP Indice de protection IP Schutzart	43
---	----

Weight (Kg) <i>Peso (Kg)</i> Poids (Kg) <i>Gewicht (Kg)</i>	0,39
--	------