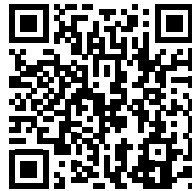
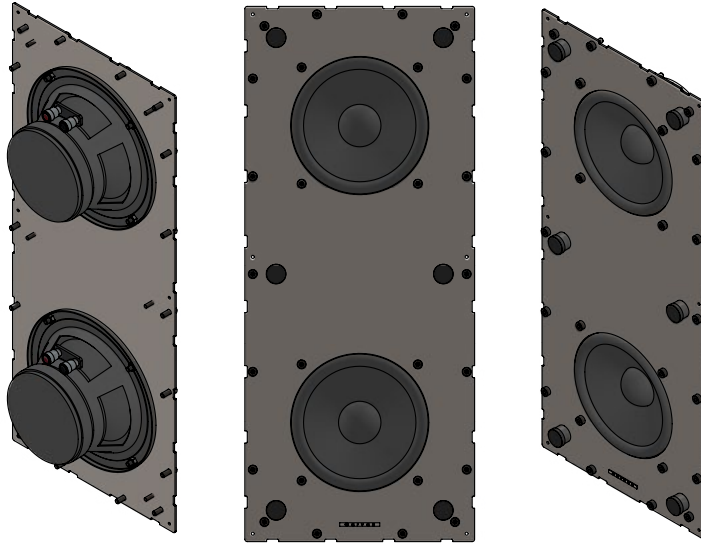




Plasterboard /
Concrete wall



**SCAN OR CLICK TO EXTEND
YOUR GARVAN WARRANTY FOR FREE!**

3 years included, with the option to add
2 extra years at no additional cost.

OVERVIEW DESCRIPTION – UNIQUE DESCRIPTION PRODUCT

2x 5.25" (2x 130 mm) full-range speaker for in-wall and ceiling installation, 100+100 W max, with mounting frame and speaker body, in stainless steel, backbox for masonry installation in marine phenolic plywood. Designed for great performance and durability over time even in very difficult environments such as saunas, swimming pools, boats, marine bathing establishments. This product supports in-wall installation with various integration solutions, including FiloMuro™, suitable for plasterboard and masonry walls. The 5.25" (130 mm) full-range speaker has a cataphoresis-treated magnetic group for corrosion resistance, a treated cellulose cone, rubber suspension for a balanced and linear sound across the entire frequency range and excellent intelligibility of voices. The system can be used in stereo or by connecting the 2 speakers in series or in parallel. Connection to the amplifier is via spring terminals that can accommodate cables up to AWG14. The aesthetic cover is held securely in place by powerful neodymium magnets. The grill cover can be customized in various materials, including perforated steel that can be painted white or pre-painted according to RAL or NCS codes and even treated with galvanic effects.

KEY FEATURES

Flush-Mount™ In-Wall / In-Ceiling Design
Seamless architectural integration in plasterboard and masonry walls (min. thickness 90 mm).

Marine-Grade Construction (IP66)
Designed for outdoor, marine, spa, sauna and high-humidity environments.

AISI 316L Stainless Steel Frame
Corrosion-resistant structure with phenolic multilayer backbox.

Dual 5.25" (2x130 mm) Full-Range Drivers
Cataphoresis-treated magnetic assembly for durability in harsh conditions.

High Power Handling
50+50 W AES | 100+100 W Continuous Program.

High Output Performance
88 dB sensitivity | Up to 120 dB max SPL.

Wide Dispersion Coverage
100° (1–4 kHz) for uniform sound distribution.

Extended Frequency Response
56 Hz – 20 kHz (-10 dB).

Magnetic Customizable Grille
RAL/NCS paintable, galvanic finishes, brushed stainless steel or fabric version.

Flexible Wiring & 70/100V Ready
8 + 8 Ω configuration, stereo/series/parallel wiring, optional high-line transformers.

INSTALLATION NAME	Flush-Mount™ Marine Concrete wall and similar
Installation Type	In Wall / In Ceiling Speaker, Closed box
Surface Compatibility	Suitable for installation in Plasterboard, wooden panels, modular panel, and similar.
Installation Requirements	Minimum required wall thickness: 90mm
SINGLE LOUDSPEAKER PERFORMANCE	
AES Power Handling	50+50 W
Continuous Power Handling ***	100+100 W
Sensitivity 2,83V / 1m ****	88+88 dB
Sensitivity 1W/1m ****	88+88 dB
Calculated Maximum SPL @ 1m*	120 dB
TRANSDUCER	
Type	Full Range
Nominal size	2x 130mm
Nominal Impedance	8 + 8 Ω
Loudspeaker EQ	Not required, Garvan Preset EQ, Filter and protection available
Recommended High-Pass Filter Protection	75 Hz with 48 dB/Oct. High pass Filter
Frequency Response (-3 dB)	95 Hz – 17 kHz
Frequency Range (-10 dB)	56 Hz – 20 kHz
Nominal Coverage Angle (1 KHz - 4 kHz)	100 °
Nominal Coverage (1 KHz – 10 kHz)	70 °
PHYSICAL	
Frame Material	"aisi.316L inox stainless steel + phenolic multilayer wood"
Speaker support Material	Lacquered or galvanic metal support
Cover	Lacquered or galvanic metal Grille/ Brushed stainless steel Grille / Fabric covered frame.
ENVIRONMENTAL FEATURES	
Environment of Use	For use in outdoor, marine, saunas and steam rooms
Operating Temperature Range *****	-25 °C to 70 °C (-13 °F to 158 °F)
environmental protection.	IP66

Connectors	Push connector, mounted on speaker. Accepts 18 AWG (0.8 mm ²) to 15 AWG (2,08 mm ²) size wire.		
Maximum Ceiling Thickness			
Product Dimensions			
Ceiling Cutout			
Net Weight, Frame			
Net Weight, Loudspeaker			
Net Weight, Cover			
LOGISTICAL DATA			
Packaging dimensions			
Shipping Weight			
Quantity of products per package	1 to 2 based on logistics optimization per shipment		
MAINTENANCE			
Cleaning Method	microfiber cloth		
General precautions	do not use harsh cleaning products		
INCLUDED ACCESSORIES			
	Jig set		
OPTIONAL ACCESSORIES			
Transformer for high line voltage	TRT052 - 70/100V - 25/37/50W		
Transformer for high line voltage	TRT054 - 70/100V - 10/15/20W		
Cover installation kit	GAR136		
Sound-absorbing material kit for installation			
Cable size/load	8 ohm	4 ohm	2 ohm
2 sq mm.	20m / 65ft.	10m / 32ft	5m / 16ft
2,5 sq mm.	30m / 100ft.	15m / 50ft	7,5m / 25ft
4 sq mm.	60m / 200ft.	30m / 100ft	15m / 50ft

NOTES:

* Maximum SPL calculated from sensitivity and power handling specifications, using a signal with crest factor 4 (12dB), exclusive of power compression.

** With dedicated preset

*** Power on Continuous Program is defined as 3 dB greater than the Nominal rating.

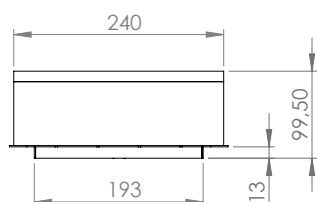
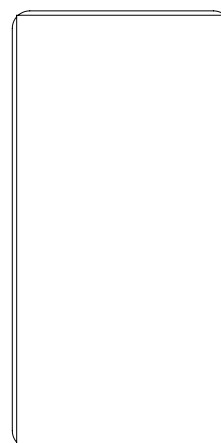
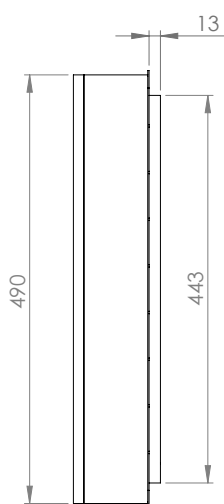
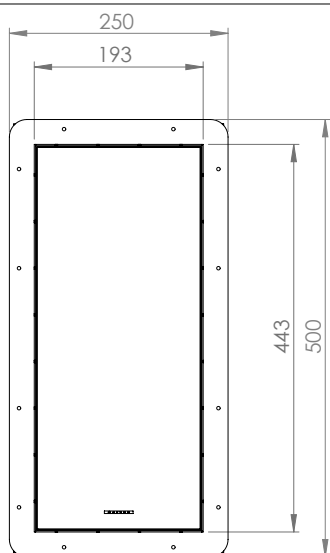
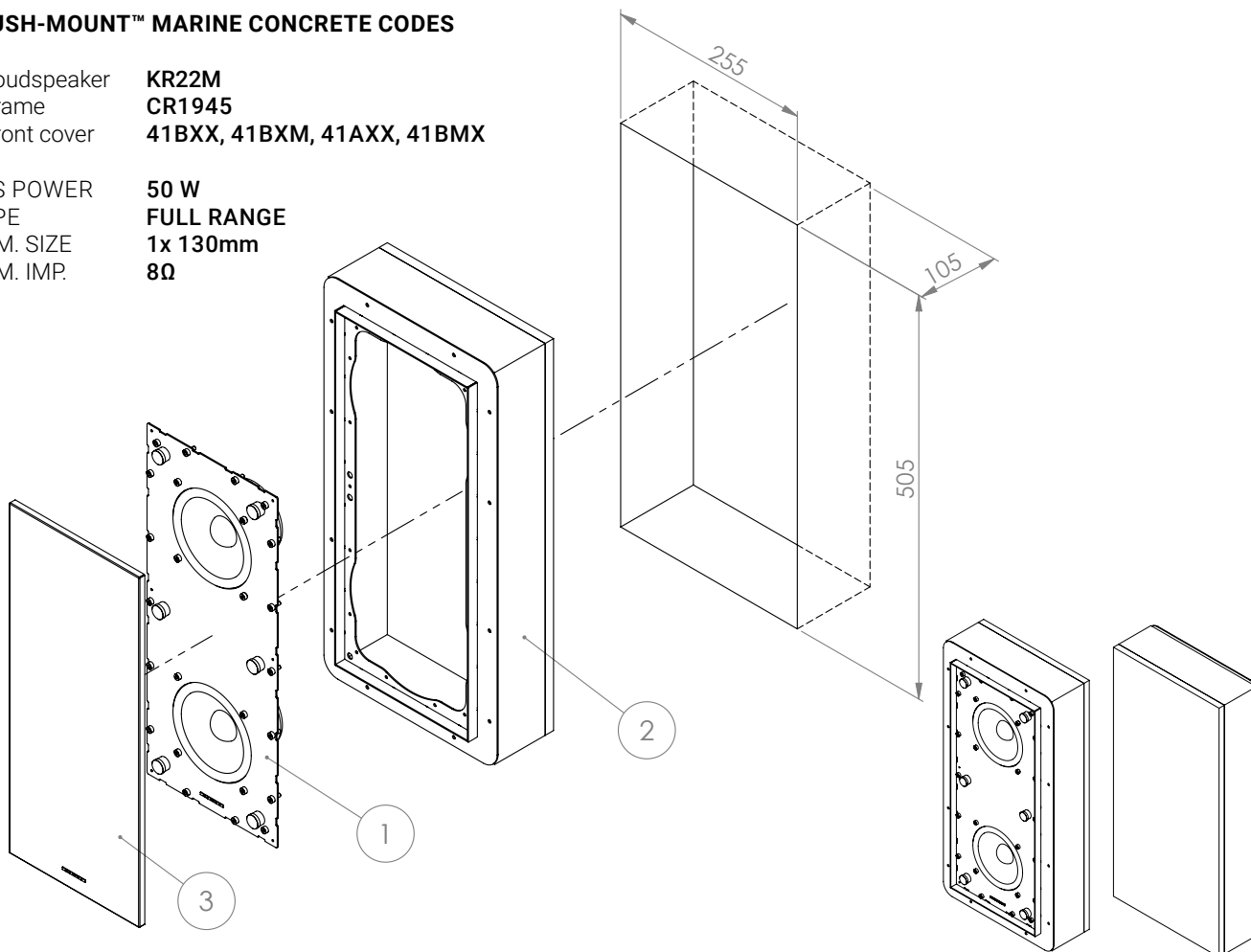
**** average SPL measured from 200 Hz to 1,5 kHz

***** With dedicated ignition and maintenance process

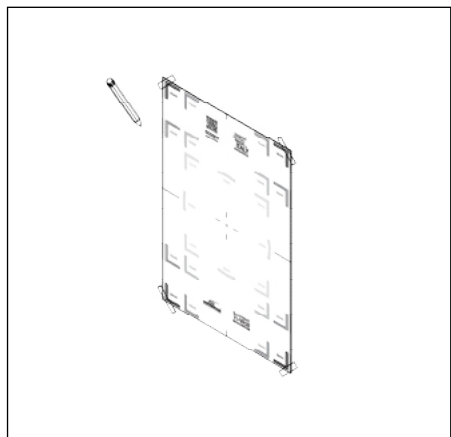
FLUSH-MOUNT™ MARINE CONCRETE CODES

1 Loudspeaker **KR22M**
 2 Frame **CR1945**
 3 Front cover **41BXX, 41BXM, 41AXX, 41BMX**

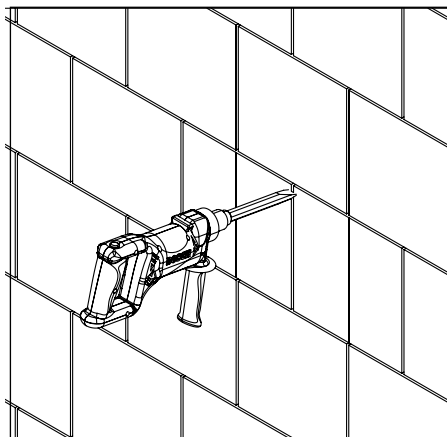
AES POWER **50 W**
 TYPE **FULL RANGE**
 NOM. SIZE **1x 130mm**
 NOM. IMP. **8Ω**



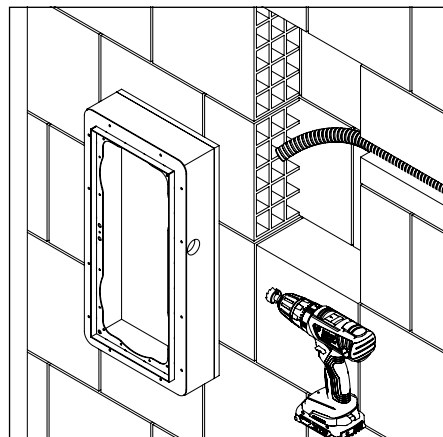
INST. INSTRUCTIONS KR22M / CR1945 Flush-Mount™ Marine Concrete



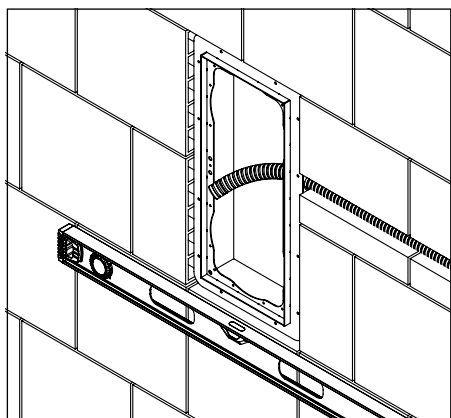
1 Jig set



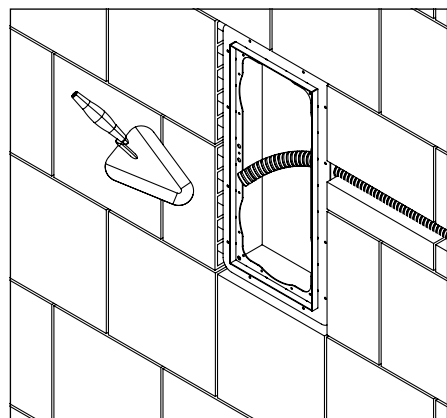
2



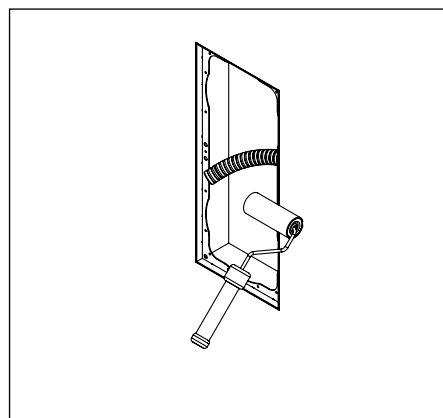
3



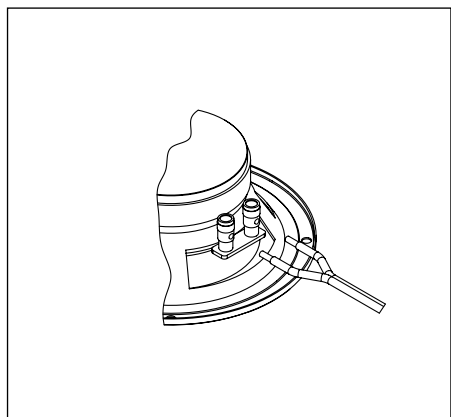
4



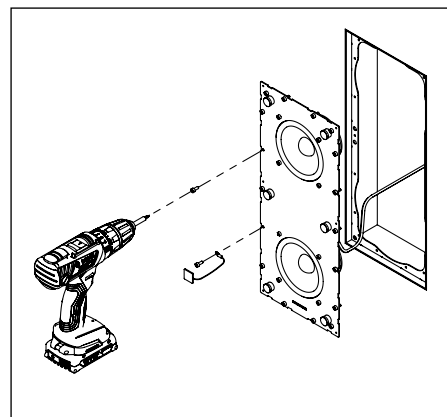
5



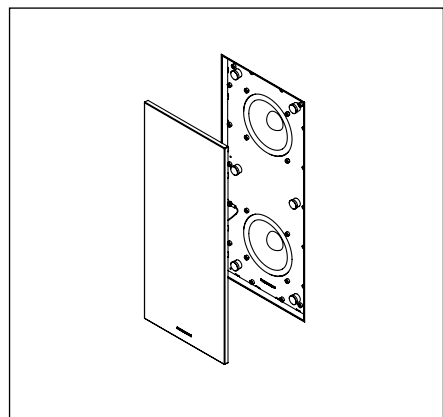
6



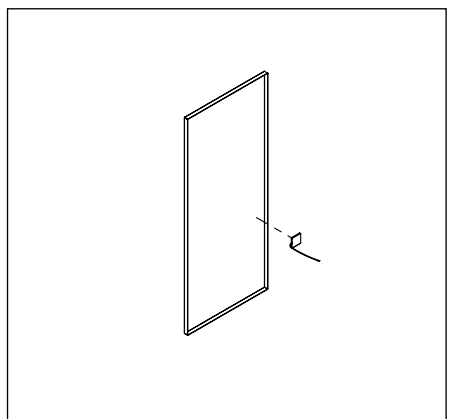
7



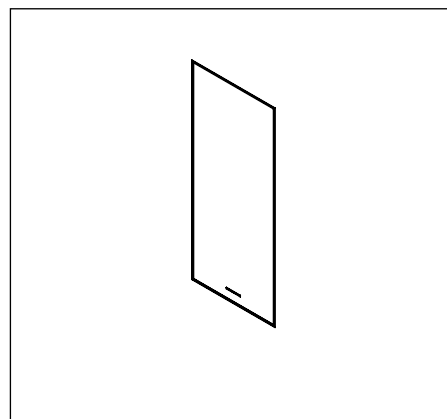
8



9



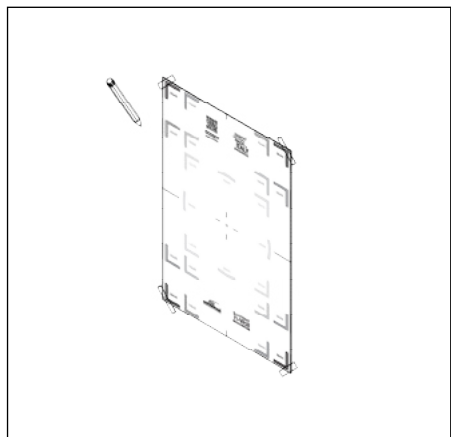
10



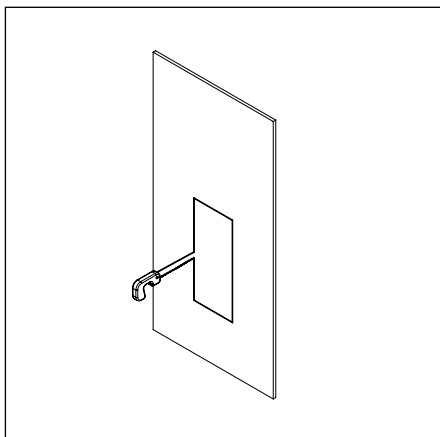
11



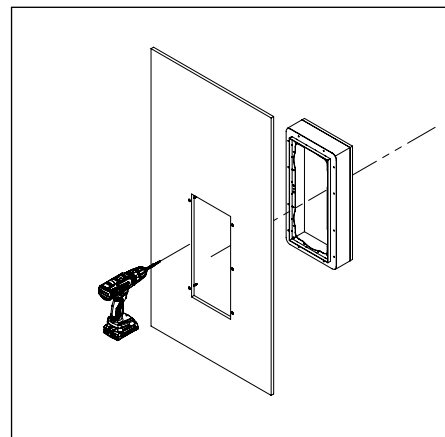
INST. INSTRUCTIONS KR22M / CR1945 Flush-Mount™ Marine Plasterboard



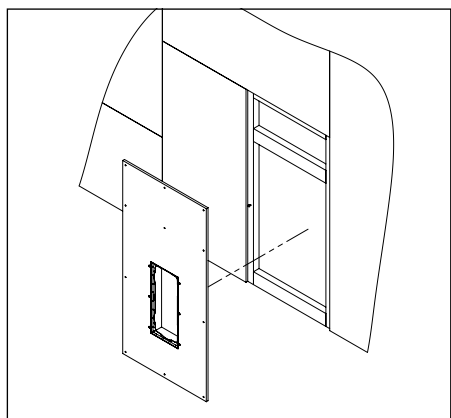
1 Jig set



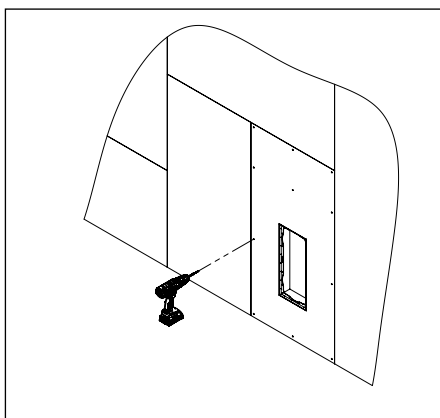
2



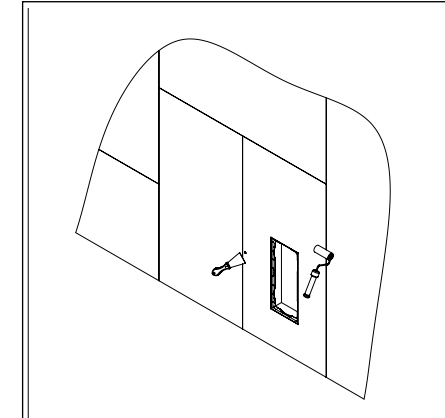
3



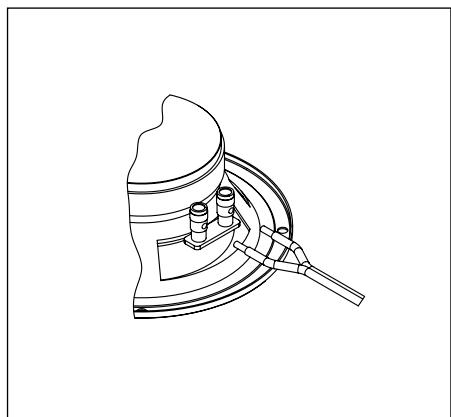
4



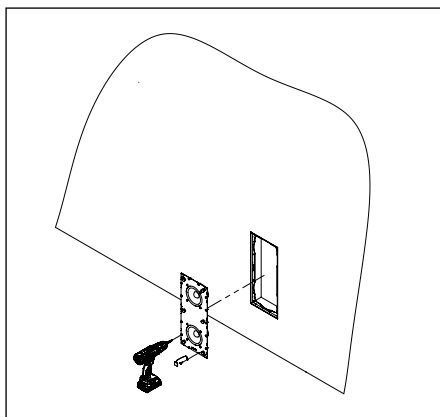
5



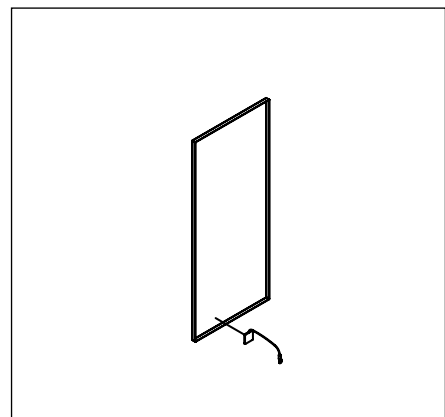
6



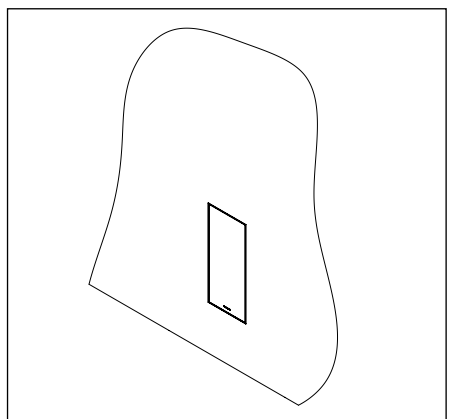
7



8



9



10

