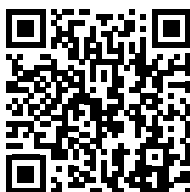
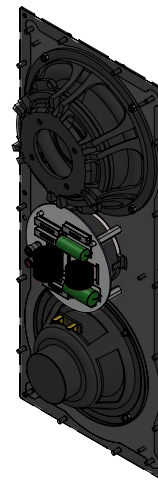
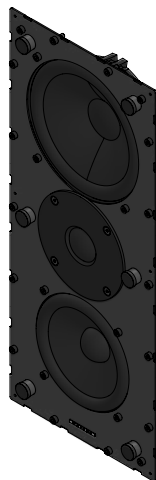
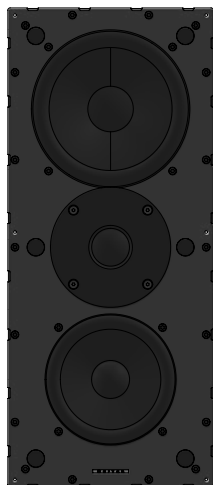




Concrete wall



**SCAN OR CLICK TO EXTEND
YOUR GARVAN WARRANTY FOR FREE!**

3 years included, with the option to add
2 extra years at no additional cost.

OVERVIEW DESCRIPTION – UNIQUE DESCRIPTION PRODUCT

5.25" (130 mm) 2-way passive radiator speaker, for wall and ceiling mounting, 160 W max, with steel mounting frame and speaker body, designed for optimum performance and durability, even in difficult environments. This product supports FiloMuro™ in-wall installation, suitable for plasterboard and masonry walls. The 5.25" (130 mm) woofer speaker features a ferrite magnet assembly, a treated cellulose cone, a rubber surround and a 1" (25 mm) treated silk dome tweeter, the system is tuned in low frequency with a 6.5" (160 mm) passive radiator that extends the low frequency frequencies, for a full-bodied and balanced sound throughout the frequency range and excellent vocal intelligibility. The connection to the amplifier is via spring terminals that can accommodate cables up to AWG11 gauge. The aesthetic cover is firmly fixed by powerful neodymium magnets. The grill cover can be customized in various materials, including perforated steel that can be painted white or pre-painted according to RAL or NCS codes and even treated with galvanic effects. Fabric coverings can also be used, available in a wide choice of textures and colors, as shown in the Garvan sample books.

KEY FEATURES

Flush-mount design: Designed for seamless in-wall or in-ceiling installation with a steel frame, ideal for plasterboard and masonry walls.

2-way system with passive radiator: Includes a 5.25" woofer, 1" silk dome tweeter, and 6.5" passive radiator for extended low frequencies.

High power handling: 80W AES / 160W continuous for powerful performance in compact size.

Wide frequency response: From 48 Hz to 20 kHz with excellent vocal clarity and natural sound.

Broad dispersion: Over 120° coverage ensures uniform sound throughout the room.

Premium materials: Frame in zinc-coated metal and multilayer

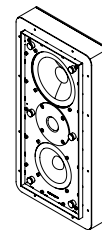
phenolic wood for strength and durability.

Magnetic grille: Aesthetic cover secured with strong neodymium magnets, easy to install or change.

Customizable finish: Available in lacquered or galvanized metal, perforated steel (RAL/NCS), or fabric covers.

Indoor use: Engineered for high performance and durability in indoor environments.

Extended warranty: 3-year standard warranty, extendable to 5 years at no extra cost.



INSTALLATION NAME	Flush-Mount™ Concrete wall
Installation Type	In Wall / In Ceiling Speaker, Closed box
Surface Compatibility	Suitable for installation in Concrete Wall and similar.
Installation Requirements	Minimum required wall thickness: 90mm
SINGLE LOUDSPEAKER PERFORMANCE	
AES Power Handling	80 W
Continuous Power Handling ***	160 W
Sensitivity 2,83V / 1m ****	87,5 dB
Sensitivity 1W/1m ****	87,5 dB
Calculated Maximum SPL @ 1m*	118,5 dB
TRANSDUCER	
Type	2 Way
Nominal size	WF 130 mm + TW 25mm + RP 160mm
Nominal Impedance	8Ω
Loudspeaker EQ	Not required, Garvan Preset EQ, Filter and protection available
Recommended High-Pass Filter Protection	40 Hz with 48 dB/Oct. High pass Filter
Frequency Response (-3 dB)	60 Hz – 20 kHz **
Frequency Range (-10 dB)	48 Hz - 20 kHz **
Nominal Coverage Angle (1 KHz - 4 kHz)	> 120°
Nominal Coverage (1 KHz – 10 kHz)	120
PHYSICAL	
Frame Material	"zinc-plated metal + phenolic multilayer wood"
Speaker support Material	Lacquered or galvanic metal support
Cover	Lacquered or galvanic metal Grille/ Brushed stainless steel Grille / Fabric covered frame.
ENVIRONMENTAL FEATURES	
Environment of Use	Indoor environments
Operating Temperature Range *****	
environmental protection.	
Connectors	Push connector, mounted on crossover and on speaker coax. Accepts 18 AWG (0.8 mm ²) to 11 AWG (4,17 mm ²) size wire.
Maximum Ceiling Thickness	

Product Dimensions	
Ceiling Cutout	
Net Weight, Frame	
Net Weight, Loudspeaker	
Net Weight, Cover	
LOGISTICAL DATA	
Packaging dimensions	
Shipping Weight	
Quantity of products per package	1 to 2 based on logistics optimization per shipment
MAINTENANCE	
Cleaning Method	microfiber cloth
General precautions	do not use harsh cleaning products
INCLUDED ACCESSORIES	
	Jig set
OPTIONAL ACCESSORIES	
Transformer for high line voltage	TRT052 - 70/100V - 25/37/50W
Transformer for high line voltage	TRT054 - 70/100V - 10/15/20W
Cover installation kit	GAR136
Sound-absorbing material kit for installation	

Cable size/load	8 ohm	4 ohm	2 ohm
2 sq mm.	20m / 65ft.	10m / 32ft	5m / 16ft
2,5 sq mm.	30m / 100ft.	15m / 50ft	7,5m / 25ft
4 sq mm.	60m / 200ft.	30m / 100ft	15m / 50ft

NOTES:

* Maximum SPL calculated from sensitivity and power handling specifications, using a signal with crest factor 4 (12dB), exclusive of power compression.

** With dedicated preset

*** Power on Continuous Program is defined as 3 dB greater than the Nominal rating.

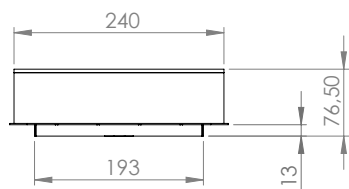
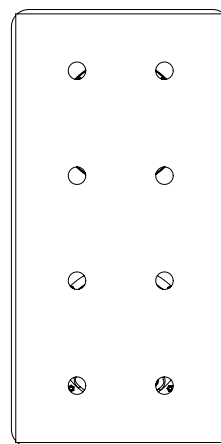
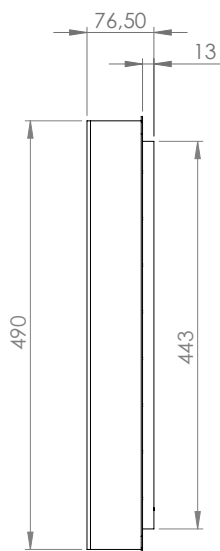
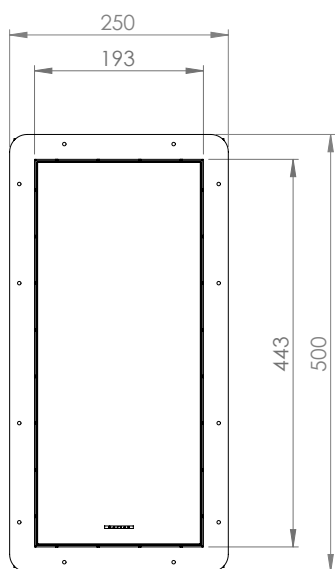
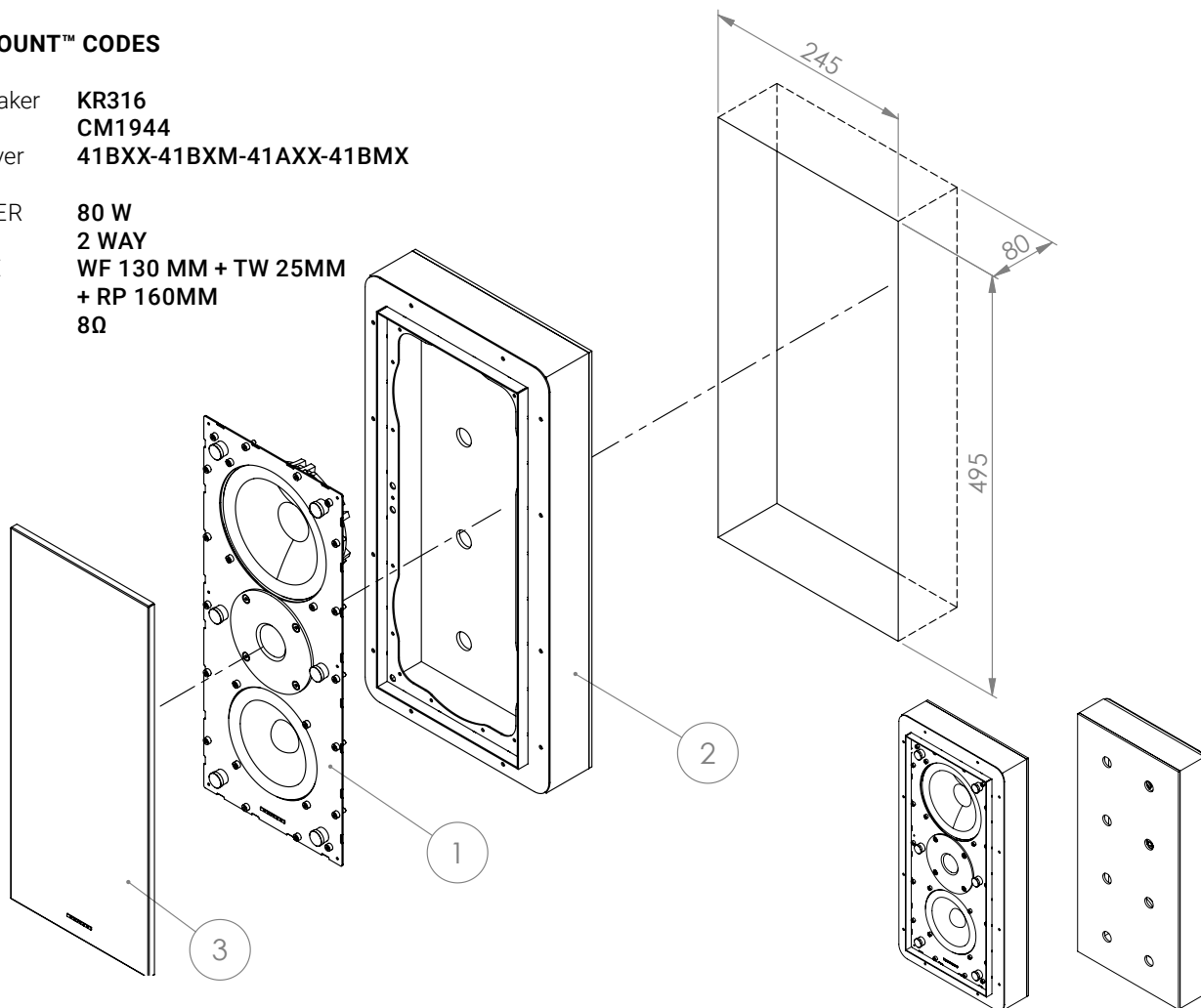
**** average SPL measured from 200 Hz to 1,5 kHz

***** With dedicated ignition and maintenance process

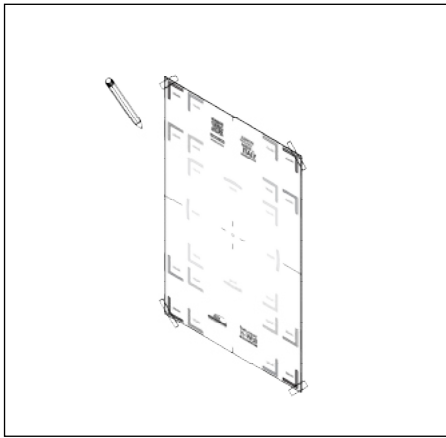
FLUSH-MOUNT™ CODES

1 Loudspeaker **KR316**
 2 Frame **CM1944**
 3 Front cover **41BXX-41BXM-41AXX-41BMX**

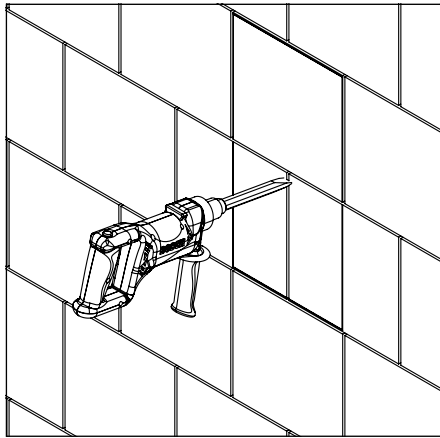
AES POWER **80 W**
 TYPE **2 WAY**
 NOM. SIZE **WF 130 MM + TW 25MM**
 + RP 160MM
 NOM. IMP. **8Ω**



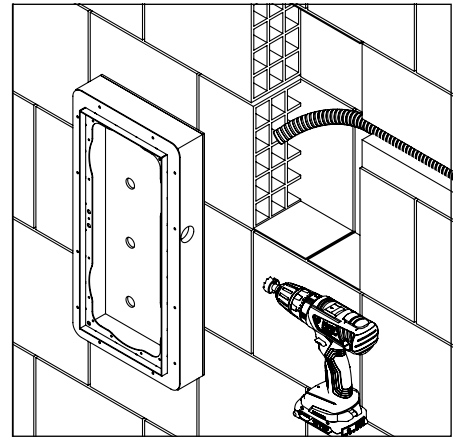
INST. INSTRUCTIONS KR313 / CM1944 Flush-Mount™ Concrete wall



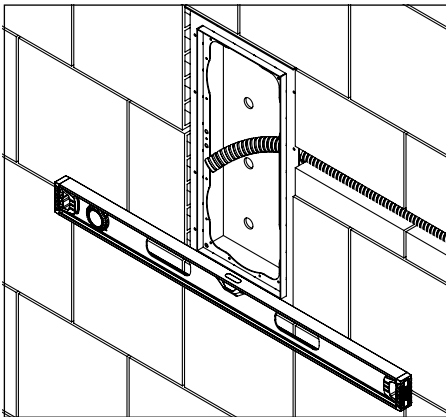
1 Jig set



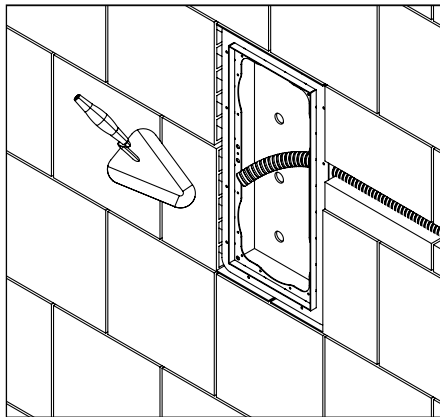
2



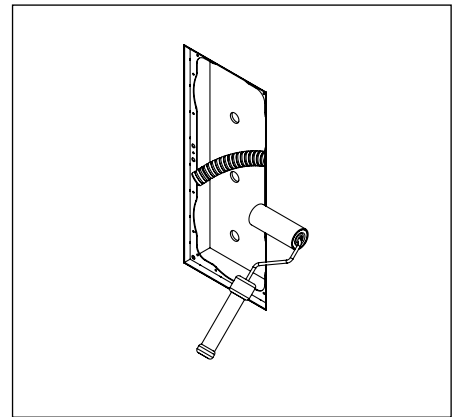
3



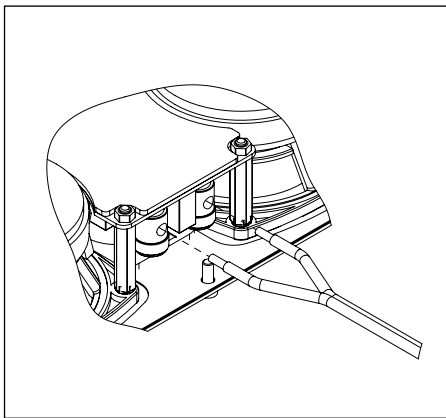
4



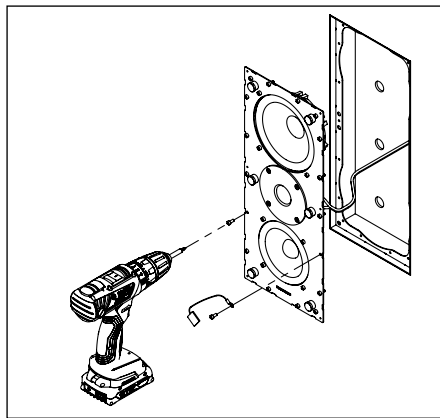
5



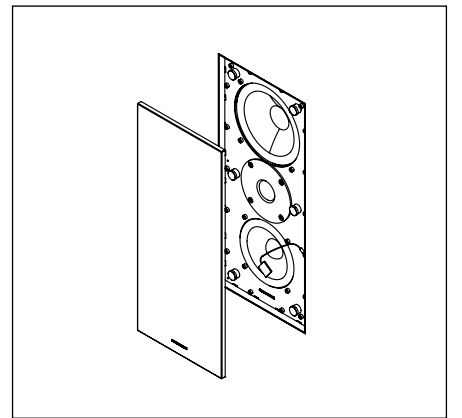
6



7



8



9

