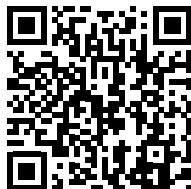
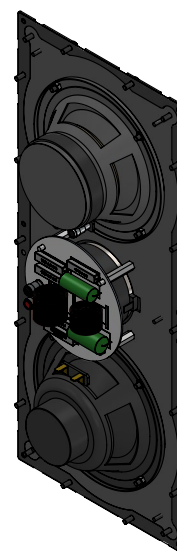
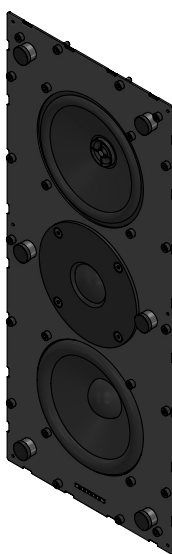
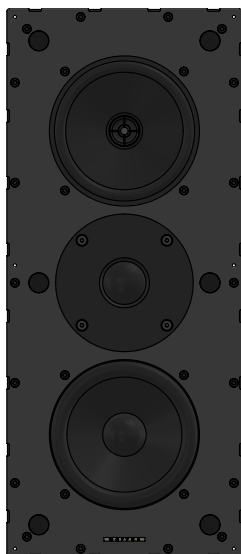




Concrete wall



**SCAN OR CLICK TO EXTEND
YOUR GARVAN WARRANTY FOR FREE!**

3 years included, with the option to add
2 extra years at no additional cost.

OVERVIEW DESCRIPTION – UNIQUE DESCRIPTION PRODUCT

The Garvan KR413 is a flush-mount in-wall speaker that houses two independent speaker units within a single enclosure. When used in pairs, positioned to the left and right of a television, the KR413 enables a clever LCR (Left–Center–Right) configuration: the center channel is virtually recreated by combining one driver from each speaker, resulting in focused dialogue reproduction and a highly immersive soundstage. Designed for flush integration into masonry or plasterboard walls, the KR413 combines high-quality components, wide dispersion, and architectural elegance. The magnetic front grille is available in customizable finishes including lacquered steel, stainless steel, or fabric, ensuring perfect visual harmony with any interior. Engineered and handcrafted in Italy, the KR413 offers an ideal solution for discreet, high-performance home cinema systems. The KR413 is proudly made in Italy and covered by a 3+1+1 year extended warranty.

KEY FEATURES

In-Wall / In-Ceiling Speaker with Flush-Mount™ design for concrete walls

Coaxial Driver: 130 mm woofer + 14 mm tweeter

High Power Handling: 50 W AES, 100 W continuous program

Wide Frequency Response: 60 Hz – 20 kHz (-10 dB)

Excellent Sensitivity: 89 dB (2.83V/1m)

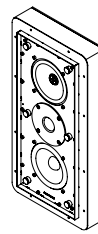
Wide Coverage Angle: 110° (1–4 kHz), 90° (1–10 kHz)

No Equalization Required: Garvan Preset EQ and protection available

Elegant Front Covers: Available in lacquered, stainless steel, or fabric finishes

Easy Installation: Includes jig set, optional transformer and accessories

Made in Italy with 3+1+1 year warranty (free extension available)



INSTALLATION NAME	Flush-Mount™ Concrete wall
Installation Type	In Wall / In Ceiling Speaker, Closed box
Surface Compatibility	Suitable for installation in Concrete Wall and similar.
Installation Requirements	Minimum required wall thickness: 90mm
SINGLE LOUDSPEAKER PERFORMANCE	
AES Power Handling	50 W
Continuous Power Handling ***	100 W
Sensitivity 2,83V / 1m ****	89 dB
Sensitivity 1W/1m ****	89 dB
Calculated Maximum SPL @ 1m*	118 dB
TRANSDUCER	
Type	Coaxial
Nominal size	WF 130 mm + TW 14mm
Nominal Impedance	8Ω
Loudspeaker EQ	Not required, Garvan Preset EQ, Filter and protection available
Recommended High-Pass Filter Protection	65 Hz with 48 dB/Oct. High pass Filter
Frequency Response (-3 dB)	95 Hz – 20 kHz **
Frequency Range (-10 dB)	60 Hz - 20 kHz **
Nominal Coverage Angle (1 KHz - 4 kHz)	110°
Nominal Coverage (1 KHz – 10 kHz)	90°
PHYSICAL	
Frame Material	"zinc-plated metal + phenolic multilayer wood"
Speaker support Material	Lacquered or galvanic metal support
Cover	Lacquered or galvanic metal Grille/ Brushed stainless steel Grille / Fabric covered frame.
ENVIRONMENTAL FEATURES	
Environment of Use	Indoor environments
Operating Temperature Range *****	
environmental protection.	
Connectors	Push connector, mounted on crossover and on speaker coax. Accepts 18 AWG (0.8 mm ²) to 11 AWG (4,17 mm ²) size wire.
Maximum Ceiling Thickness	

Product Dimensions	
Ceiling Cutout	
Net Weight, Frame	
Net Weight, Loudspeaker	
Net Weight, Cover	
LOGISTICAL DATA	
Packaging dimensions	
Shipping Weight	
Quantity of products per package	1 to 2 based on logistics optimization per shipment
MAINTENANCE	
Cleaning Method	microfiber cloth
General precautions	do not use harsh cleaning products
INCLUDED ACCESSORIES	
	Jig set
OPTIONAL ACCESSORIES	
Transformer for high line voltage	TRT052 - 70/100V - 25/37/50W
Transformer for high line voltage	TRT054 - 70/100V - 10/15/20W
Cover installation kit	GAR136
Sound-absorbing material kit for installation	

Cable size/load	8 ohm	4 ohm	2 ohm
2 sq mm.	20m / 65ft.	10m / 32ft	5m / 16ft
2,5 sq mm.	30m / 100ft.	15m / 50ft	7,5m / 25ft
4 sq mm.	60m / 200ft.	30m / 100ft	15m / 50ft

NOTES:

* Maximum SPL calculated from sensitivity and power handling specifications, using a signal with crest factor 4 (12dB), exclusive of power compression.

** With dedicated preset

*** Power on Continuous Program is defined as 3 dB greater than the Nominal rating.

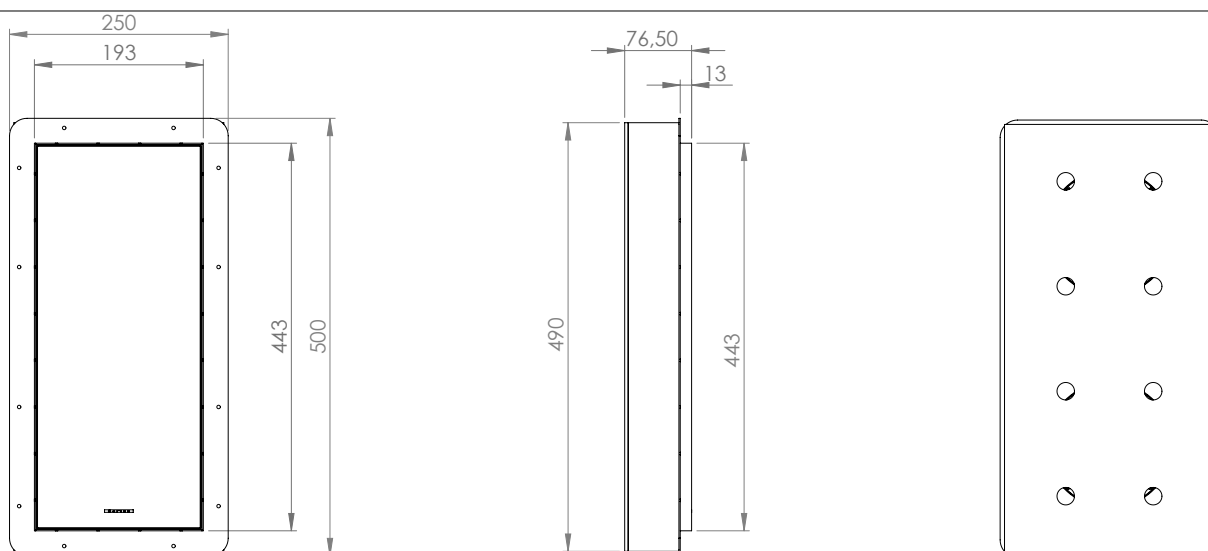
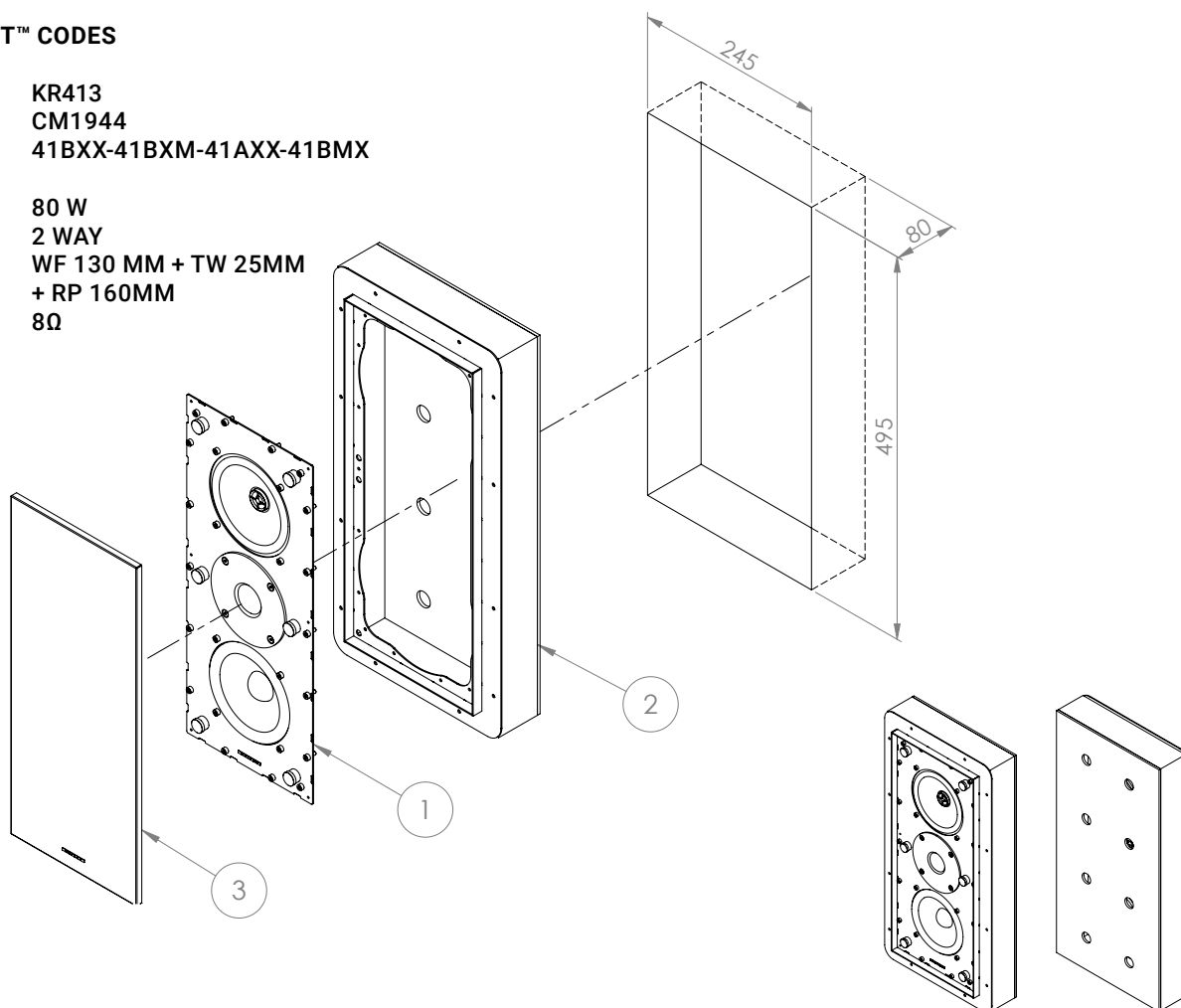
**** average SPL measured from 200 Hz to 1,5 kHz

***** With dedicated ignition and maintenance process

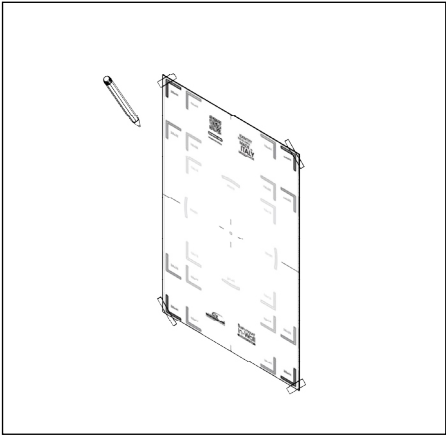
FLUSH-MOUNT™ CODES

1 Loudspeaker **KR413**
 2 Frame **CM1944**
 3 Front cover **41BXX-41BXM-41AXX-41BMX**

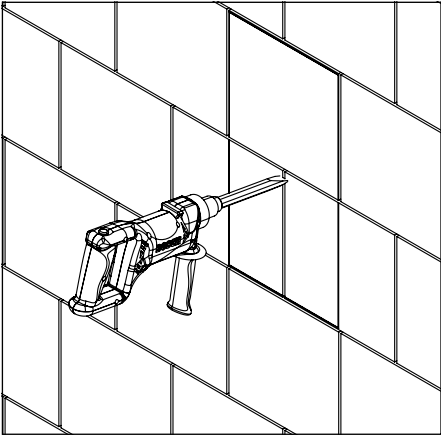
AES POWER **80 W**
 TYPE **2 WAY**
 NOM. SIZE **WF 130 MM + TW 25MM**
 + RP 160MM
 NOM. IMP. **8Ω**



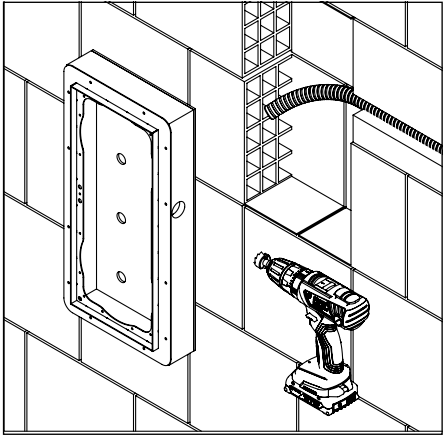
INST. INSTRUCTIONS KR413 / CM1944 Flush-Mount™ Concrete wall



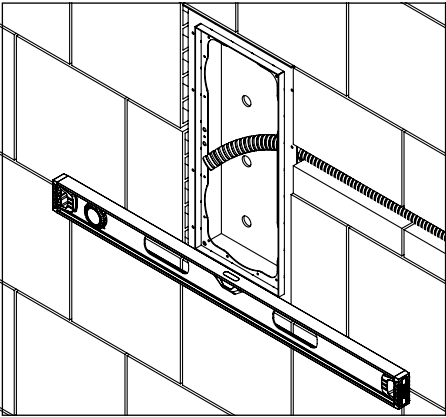
1 Jig set



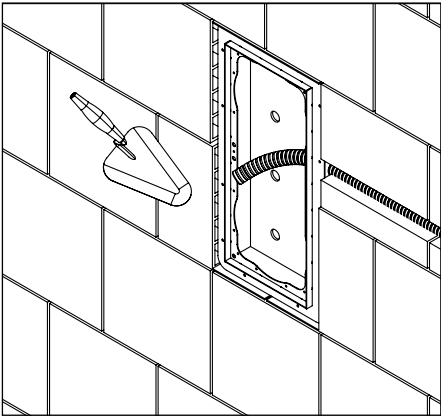
2



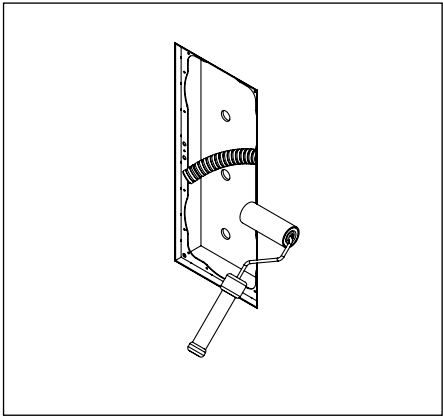
3



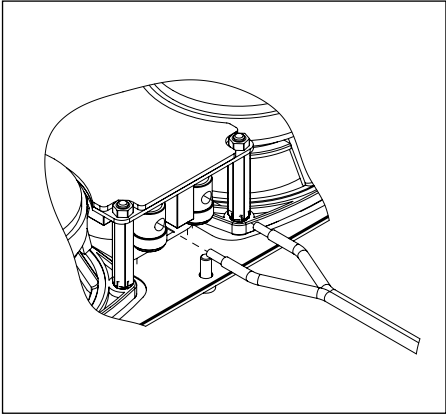
4



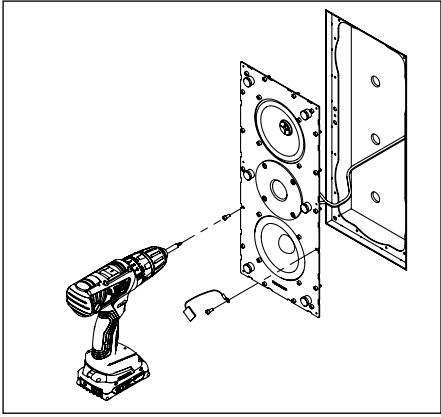
5



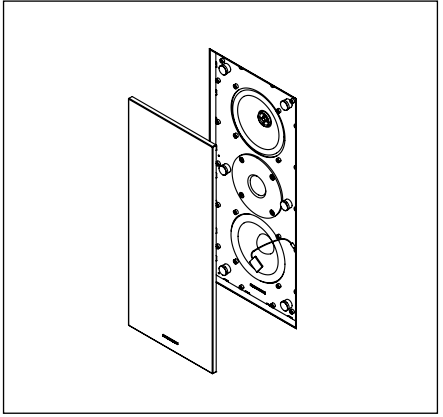
6



7



8



9

