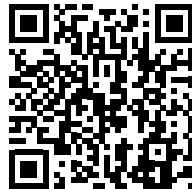
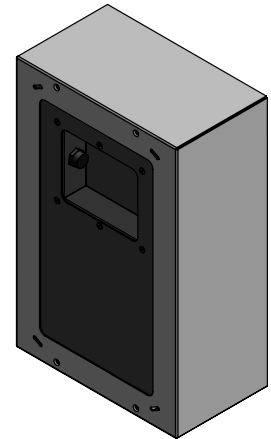
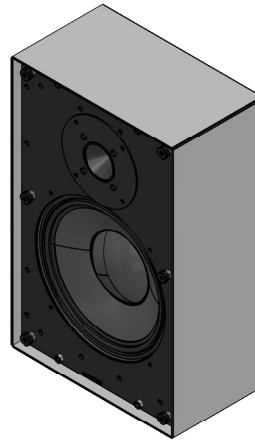




CORO™ COLLECTION



**SCAN OR CLICK TO EXTEND  
YOUR GARVAN WARRANTY FOR FREE!**

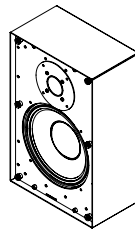
3 years included, with the option to add  
2 extra years at no additional cost.

## OVERVIEW DESCRIPTION – UNIQUE DESCRIPTION PRODUCT

The Garvan KW25M is a high-power 2-way loudspeaker from the Coro™ Collection, designed for on-wall and on-ceiling installations in demanding indoor and outdoor environments. Equipped with a 250 mm woofer and a 26 mm horn tweeter in a closed-box design, it delivers deep, controlled bass, powerful dynamics, and crystal-clear highs with wide dispersion. Built with 316L stainless steel and available in brushed or lacquered finishes, the KW25M ensures maximum durability even in marine, wellness, and outdoor applications. With IP56 protection and resistance to extreme temperatures, it blends Made in Italy craftsmanship with uncompromising acoustic performance, making it ideal for both residential and professional projects.

## KEY FEATURES

2-way loudspeaker with 250 mm woofer + 26 mm horn tweeter	Operating temperature: -25 °C to +70 °C (-13 °F to 158 °F)
Power handling: 300 W AES / 600 W continuous	Installation flexibility: suitable for concrete, plasterboard, wooden, and modular panels
High sensitivity: 94 dB (2.83V/1m and 1W/1m)	Connectors: push connectors, accepts 18 AWG to 11 AWG wires
Maximum SPL: 130 dB @ 1 m	Weight: 13.84 kg – solid and robust construction
Frequency response: 78 Hz – 20 kHz (-3 dB) with preset EQ	Extended warranty: 3+1+1 years with free registration
Extended range: 59 Hz – 20 kHz (-10 dB)	
Coverage: >120° (1-4 kHz) / 120° (1-10 kHz)	
Closed-box cabinet: brushed or lacquered 316L stainless steel	
Weather & marine resistant: suitable for outdoor, sauna, and steam room use (IP56)	



<b>NAME INSTALLATION</b>	<b>On-wall</b>
Type Installation	On-Wall / On-Ceiling Speaker, closed box
Surface Compatibility	Suitable for installation in, concrete wall, Plasterboard, wooden panels, modular panel, and similar.
Installation Requirements:	Support thickness suitable for product weight
<b>SINGLE LOUDSPEAKER PERFORMANCE</b>	
AES Power Handling	300 W
Continuous Power Handling ***	600 W
Sensitivity 2,83V / 1m ****	94 dB
Sensitivity 1W/1m ****	94 dB
Calculated Maximum SPL @ 1m*	130 dB
<b>TRANSDUCER</b>	
Type	2 Way
Nominal size	WF 250 + Horn TW 26mm
Nominal Impedance	8Ω
Loudspeaker EQ	Not required, Garvan Preset EQ, Filter and protection available
Recommended High-Pass Filter Protection	45 Hz with 48 dB/Oct. High pass Filter
Frequency Response (-3 dB)	78 Hz – 20 kHz **
Frequency Range (-10 dB)	59 Hz – 20 kHz **
Nominal Coverage Angle (1 KHz - 4 kHz)	>120 °
Nominal Coverage (1 KHz – 10 kHz)	120 °
<b>PHYSICAL</b>	
Frame Material	brushed or lacquered 316L stainless steel cabinet
Speaker support Material	Brushed aisi.316L stainless steel support
Cover	Laquered or galvanic metal Grille/ Brusced stainlenss steel Grille / Fabric covered frame.
<b>ENVIRONMENTAL FEATURES</b>	
Enviropment of Use	For use in out-door, marine, saunas and steam rooms
Operating Temperature Range *****	-25 °C to 70 °C (-13 °F to 158 °F)
environmental protection.	IP56
Connectors	Push connector, mounted on crossover and on speaker coax. Accepts 18 AWG (0.8 mm <sup>2</sup> ) to 11 AWG (4,17 mm <sup>2</sup> ) size wire.
Maximum Ceiling Thickness	
Product Dimensions	
Ceiling Cutout	
Net Weight, Frame	
Net Weight, Loudspeaker	

Net Weight, Cover	
<b>LOGISTICAL DATA</b>	
Packaging dimensions	
Shipping Weight	
Quantity of products per package	1
<b>MAINTENANCE</b>	
Cleaning Method	microfiber cloth
General precautions	do not use harsh cleaning products
<b>INCLUDED ACCESSORIES</b>	
<b>OPTIONAL ACCESSORIES</b>	
Transformer for hight line voltage	TRT101 – 70/100V - 100W
Transformer for hight line voltage	
Cover installation kit	GAR136
Protective Cover	RP0001

<b>CABLE SIZE/LOAD SUGGESTIONS</b>			
<b>Cable size/load</b>	<b>8 ohm</b>	<b>4 ohm</b>	<b>2 ohm</b>
2 sq mm.	20m / 65ft.	10m / 32ft	5m / 16ft
2,5 sq mm.	30m / 100ft.	15m / 50ft	7,5m / 25ft
4 sq mm.	60m / 200ft.	30m / 100ft	15m / 50ft

**NOTES:**

\* Maximum SPL calculated from sensitivity and power handling specifications, using a signal with crest factor 4 (12dB), exclusive of power compression.

\*\* With dedicated preset

\*\*\* Power on Continuous Program is defined as 3 dB greater than the Nominal rating.

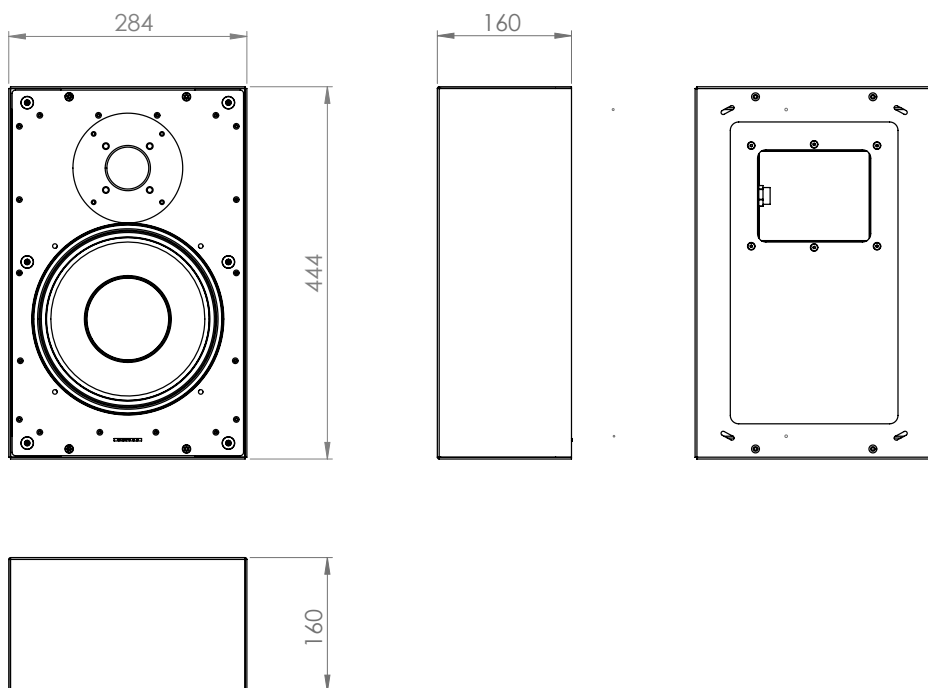
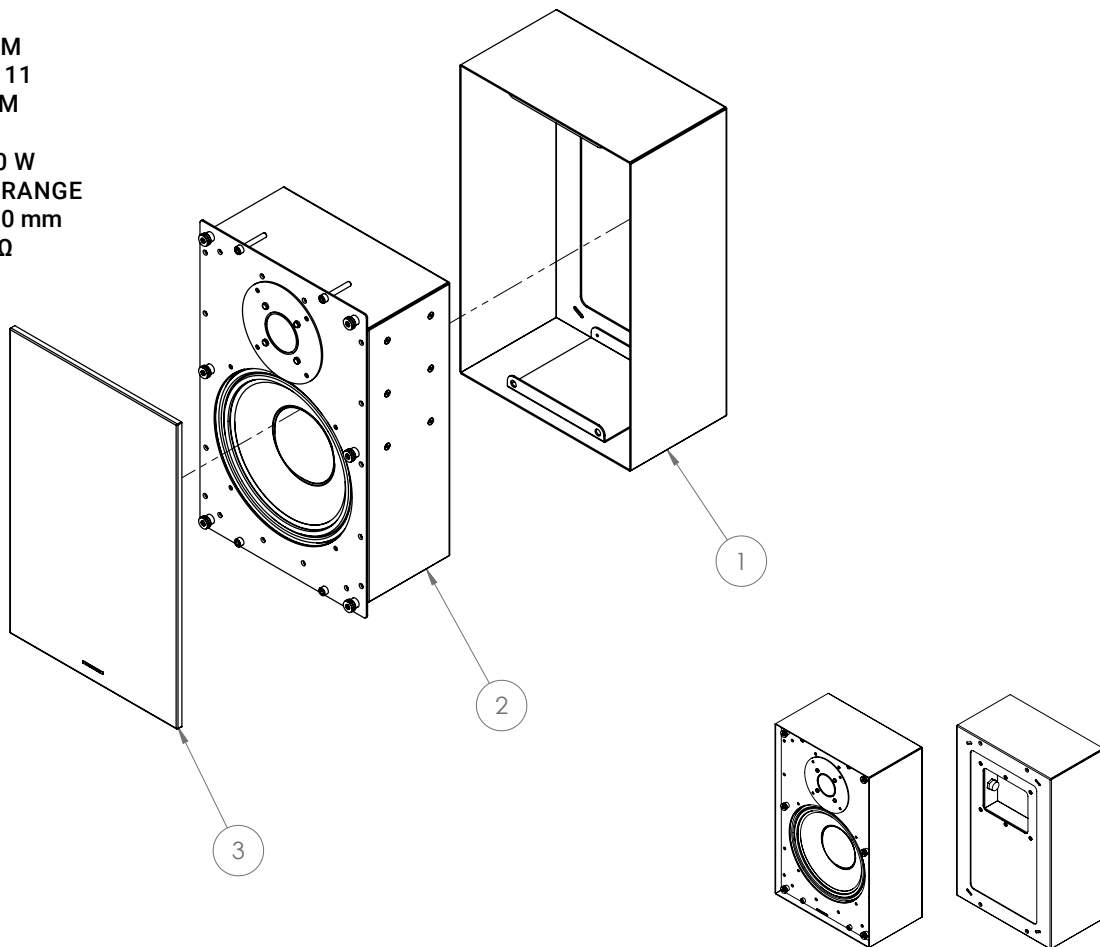
\*\*\*\* average SPL measured from 200 Hz to 1,5 kHz

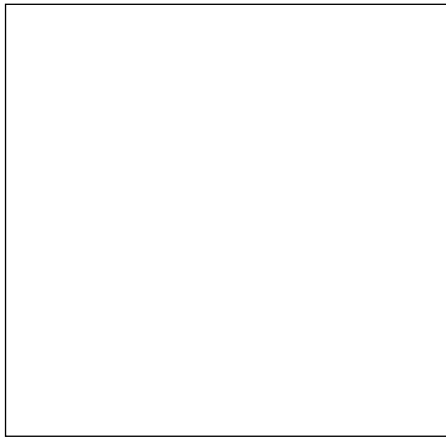
\*\*\*\*\* With dedicated ignition and maintenance process

### ON-WALL CODES

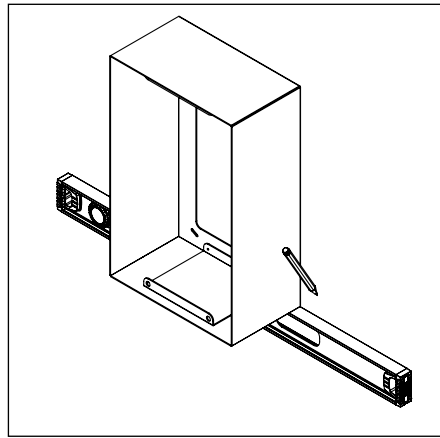
1 Loudspeaker **KW25M**  
 2 Frame **CW1111**  
 3 Front cover **61BXM**

AES POWER **50+50 W**  
 TYPE **FULL RANGE**  
 NOM. SIZE **2X 130 mm**  
 NOM. IMP. **8 + 8 Ω**

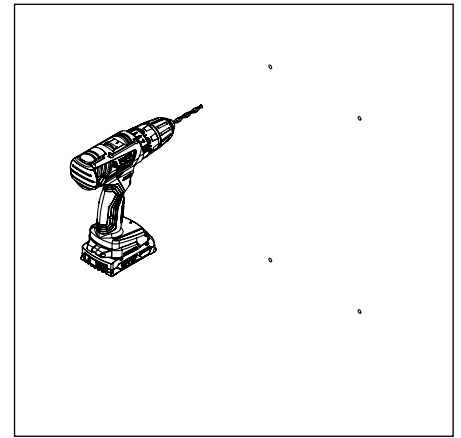




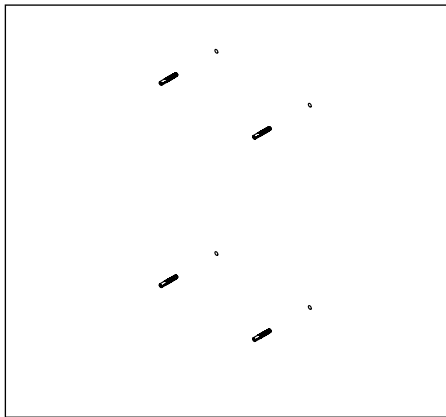
1 Jig set



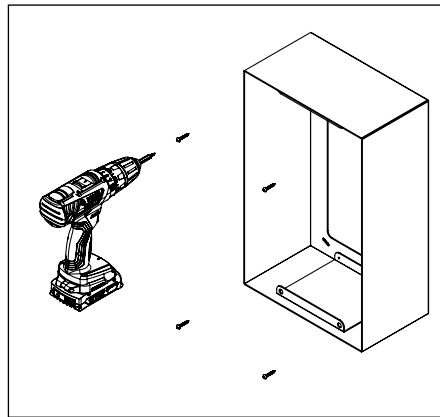
2



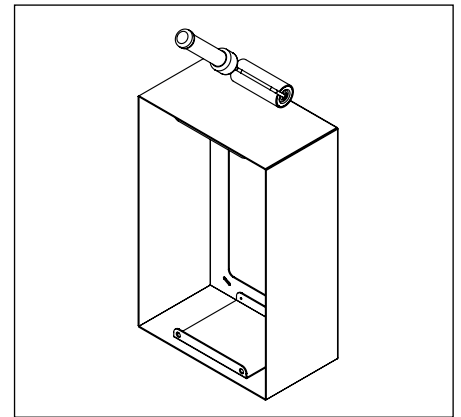
3



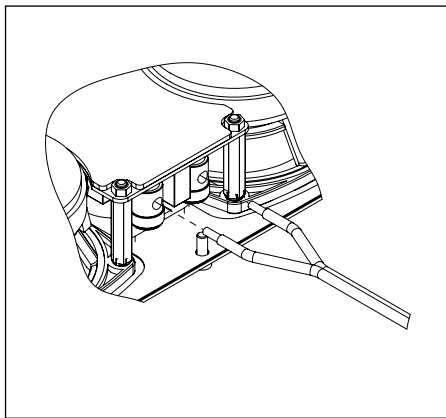
4



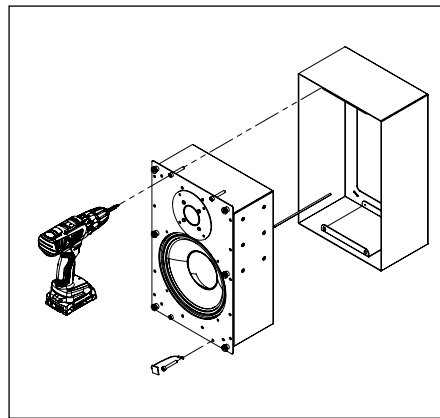
5



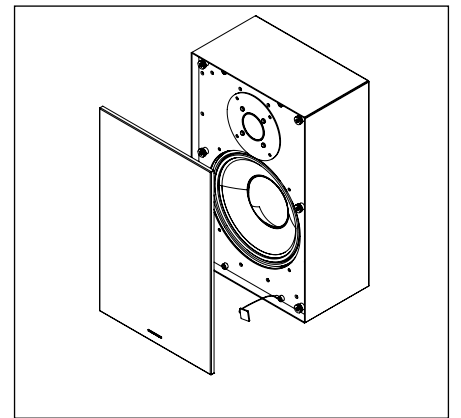
6



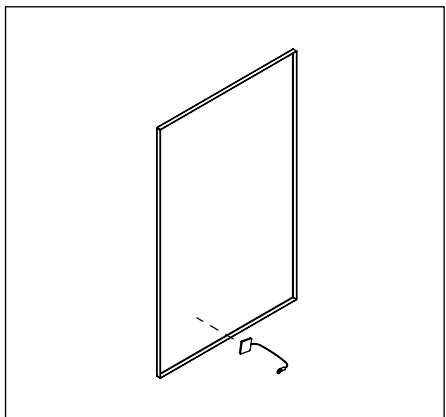
7



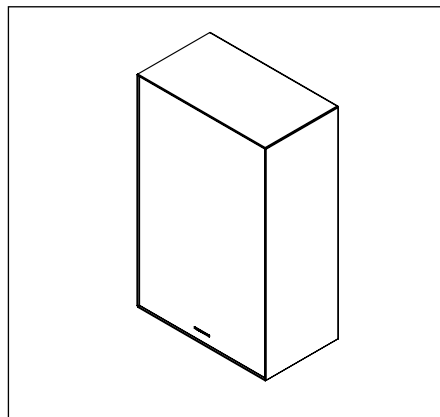
8



9



10



11

