

White Front cover

Code: **A1BMXF**

Dimensions HxWxD (cm) 11,0 x 11,0 x 0,8

Weight (Kg) 0,06

Finishes White microperforated metal grille

Loudspeaker

Code (8 Ω): **SIC108**

Type Full range

Components Doped paper

Power RMS / Max (8 Ω) 45 / 90

Freq. resp. (Hz) 98 - 20k

Sensitivity dB (2,83V/1m) 85

Nom. impedance (Ω) 8

Loudspeaker Ø (cm) 8,0

Dimensions HxWxD (cm) 11,0 x 11,0 x 4,9

Weight (Kg) 0,57

Frame

Code: **CC1111**

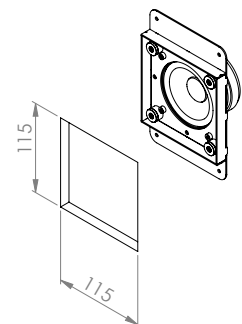
Dimensions HxWxD (cm) 11,5 x 17,0 x 1,5

Installation hole plasterboard HxWxD (cm) 11,5 x 11,5 x 6,0 **D1**

Weight (Kg) 0,21

Materials Steel

Installation hole plasterboard



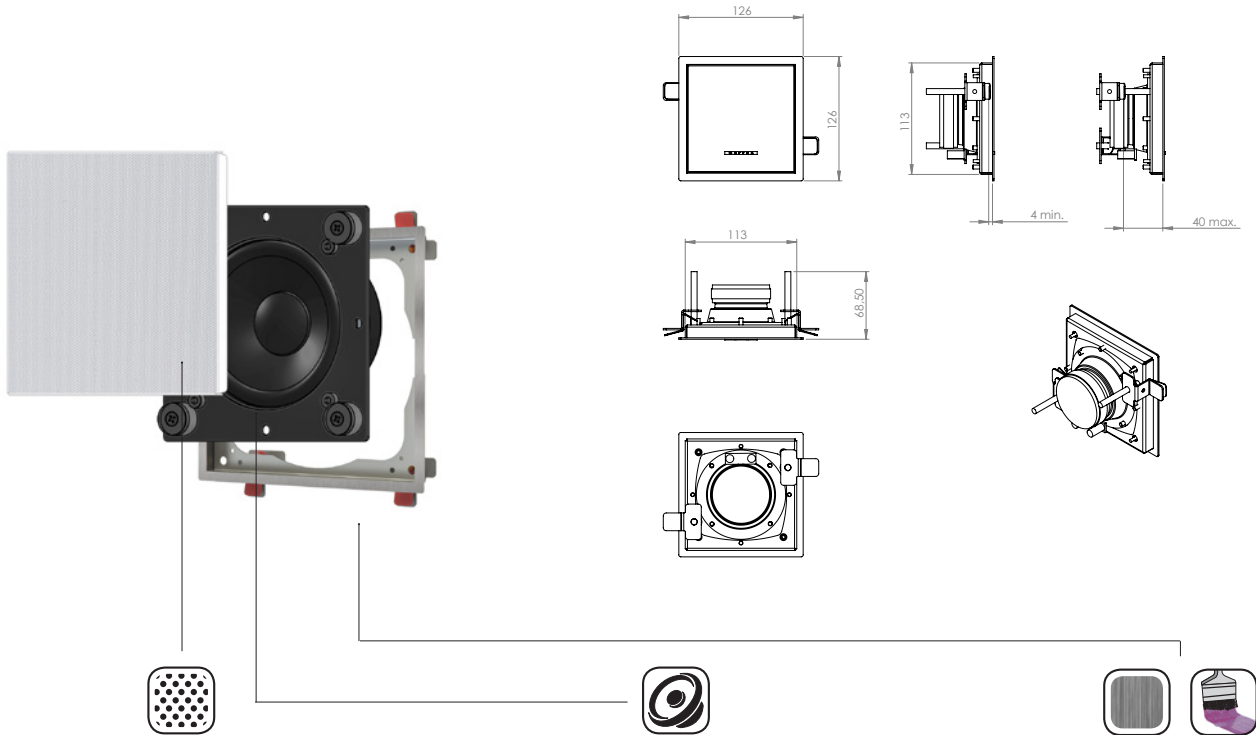
Steel



Indoor Speaker



Plasterboard



White Front cover

Code: **A1BMXF**

Dimensions HxWxD (cm) 11,0 x 11,0 x 0,8

Weight (Kg) 0,06

Finishes White microperforated metal grille

Loudspeaker

Code (8 Ω): **SIC108**

Type Full range

Components Doped paper

Power RMS / Max (8 Ω) 45 / 90

Freq. resp. (Hz) 98 - 20k

Sensitivity dB (2,83V/1m) 85

Nom. impedance (Ω) 8

Loudspeaker Ø (cm) 8,0

Dimensions HxWxD (cm) 11,0 x 11,0 x 4,9

Weight (Kg) 0,57

Frame

Code: **CF111S**

Code: **CF111E**

Dimensions HxWxD (cm) 11,5 x 17,0 x 1,5

Installation hole plasterboard HxWxD (cm) 11,5 x 11,5 x 6,0 **D1**

Weight (Kg) 0,21

Materials Steel

Installation hole plasterboard



Fabric



Indoor Speaker



Primer



Satin stainless steel