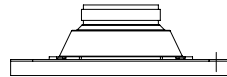
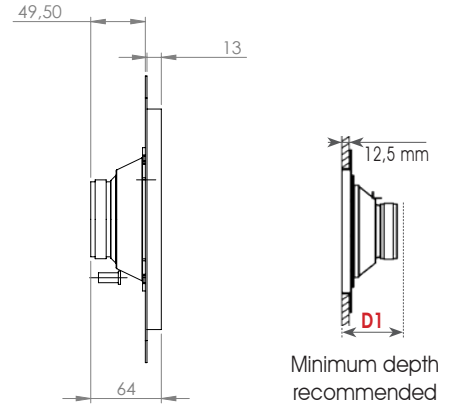
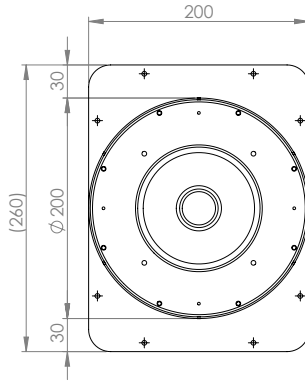
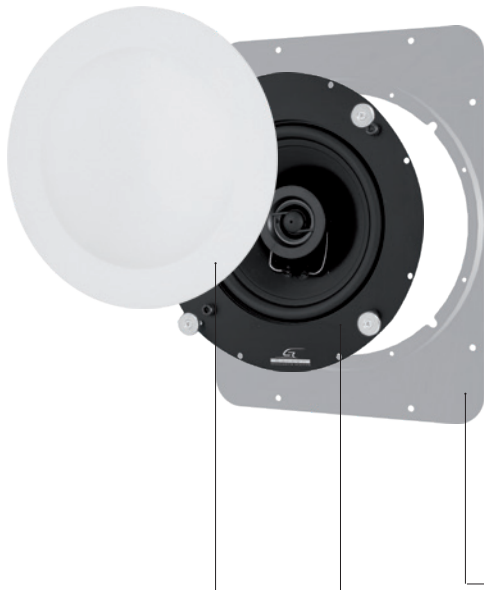
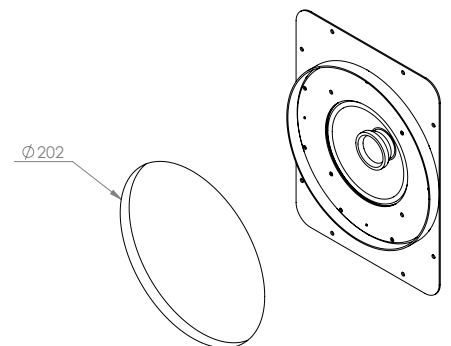


SIC111**SIC11V****IN-WALL FOR FLUSH-MOUNT INSTALLATION****White Front cover (Standard)**Code: **81AXX1****Loudspeaker**Code (8 Ω): **SIC111**
Code (70V / 100V): **SIC11V****Frame**Code: **CC2020****Dimensions HxWxD (cm)** 19,3 x 19,3 x 0,3**Weight (Kg)** 0,17**Finishes** White fabric**Type** 2 way coax**Components** Neodymium Tw, doped paper Wf**Power RMS / Max (8 Ω)** 50 / 100**Power RMS (70V / 100V)** 50,0 - 37,5 - 25,0**Freq. resp. (Hz)** 78 - 20k**Sensitivity dB (2,83V/1m)** 91**Nom. impedance (Ω)** 8**Woofers Ø (cm)** 13,0 / 1,4**Tweeter voice coil Ø (cm)** 13,0 / 1,4**Dimensions HxWxD (cm)** 19,3 x 19,3 x 5,6**Weight (Kg)** 0,87 / 1,27**Dimensions HxWxD (cm)** 26,0 x 20,0 x 1,5**Installation hole plasterboard HxWxD (cm)** 20,5 x 20,5 x 7,5 **D1****Weight (Kg)** 0,51**Materials** Steel

Installation hole plasterboard



Fabric



Indoor Speaker

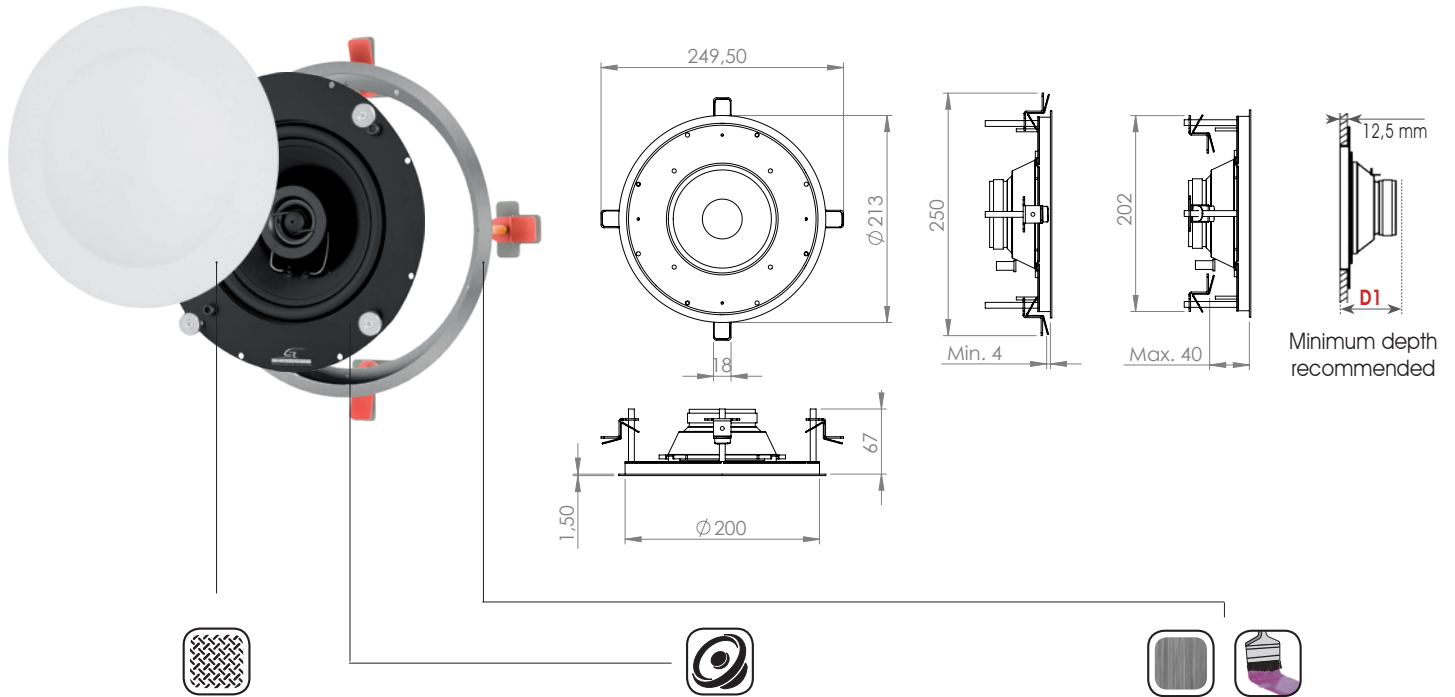


Plasterboard

SIC111

SIC11V

IN-WALL FOR EASYFIT INSTALLATION



White Front cover

Code: **81AXX1**

Loudspeaker

Code (8 Ω): **SIC111**
Code (70V / 100V): **SIC11V**

Frame

Code: **CF202S**
Code: **CF202E**

Dimensions HxWxD (cm) 19,3 x 19,3 x 0,3

Weight (Kg) 0,17

Finishes White fabric

Type 2 way coax

Components Neodymium Tw, doped paper Wf

Power RMS / Max (8 Ω) 50 / 100

Power RMS (70V / 100V) 50,0 - 37,5 - 25,0

Freq. resp. (Hz) 78 - 20k

Sensitivity dB (2,83V/1m) 91

Nom. impedance (Ω) 8

Woofer Ø (cm) 13,0 / 1,4
Tweeter voice coil Ø (cm)

Dimensions HxWxD (cm) 19,3 x 19,3 x 5,6

Weight (Kg) 0,87 / 1,27

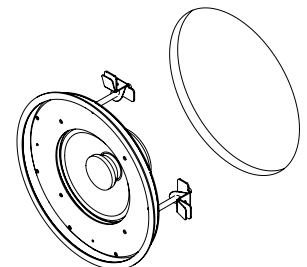
Dimensions HxWxD (cm) 21,3 x 21,3 x 6,8

Installation hole plasterboard 20,5 x 20,5 x 6,8 **D1**
HxWxD (cm)

Weight (Kg) 0,32

Materials Steel

INSTALLATION HOLE PLASTERBOARD Ø202



Fabric



Indoor Speaker



Primer



Satin stainless steel

70 / 100V Line Toroidal transformer G-Former™



Wiring Cablaggio Câblage Verdrahtung

Connect to speaker
Connessione al diffusore
Connexion à l'enceinte
Verbindung zum Lautsprecher

Connect to amplifier
Connessione all'amplificatore
Connexion à l'amplificateur
Verbindung zum Verstärker

0	Violet <i>Viola</i> Violet <i>Violett</i>	50 W	Brown <i>Marrone</i> Marron <i>Braun</i>
---	--	------	---

100 V	White <i>Bianco</i> Blanc <i>Weiß</i>	37,5 W	Red <i>Rosso</i> Rouge <i>Rot</i>
-------	--	--------	--

70 V	Green <i>Verde</i> Vert <i>Grün</i>	25 W	Blue <i>Blu</i> Bleu <i>Blau</i>
------	--	------	---

Common <i>Comune</i> Câble commun <i>Gemeinsames Kabel</i>	Black <i>Nero</i> Noir <i>Schwarz</i>
---	--

Specifications

Nominal power (W) <i>Potenza nominale (W)</i> Puissance nominale (W) <i>Nennleistung (W)</i>	50
---	----

Input voltage (V) <i>Tensione d'ingresso (V)</i> Tension d'entrée (V) <i>Eingangsspannung (V)</i>	70 / 100
--	----------

Frequency response (Hz) <i>Risp. in frequenza (Hz)</i> Rép. en fréquence (Hz) <i>Frequenzgang (Hz)</i>	40 - 21K
---	----------

Output power on 8 Ω (W) <i>Potenza di uscita su 8 Ω (W)</i> Puissance de sortie sur 8 Ω (W) <i>Ausgangsleistung auf 8 Ω (W)</i>	50,0 37,5 25,0
--	----------------------

Dimensions H x W x D (cm) <i>Dimensioni A x L x P (cm)</i> Dimensions H x L x P (cm) <i>Abmessungen H x B x D (cm)</i>	3,1 x 6,6 x 6,6
---	-----------------

IP Code Grado di protezione IP Indice de protection IP Schutzart	43
---	----

Weight (Kg) <i>Peso (Kg)</i> Poids (Kg) <i>Gewicht (Kg)</i>	0,39
--	------

