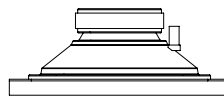
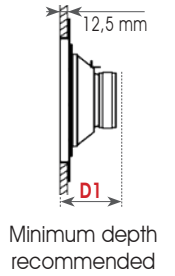
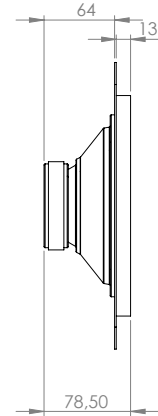
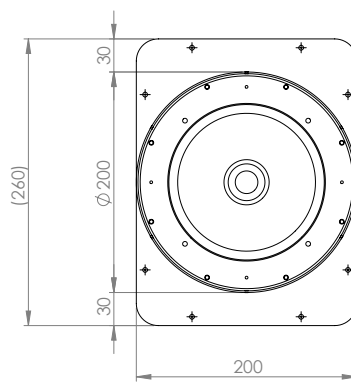
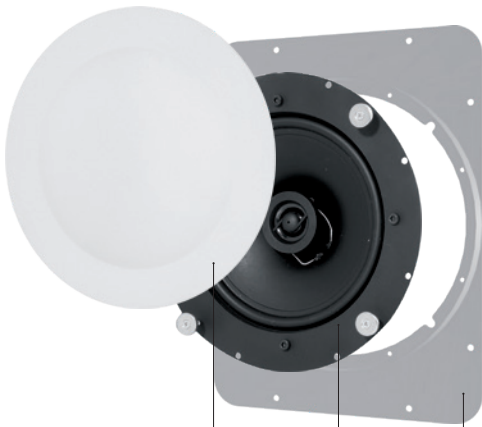


**SIC118****SIC18V****IN-WALL FOR FLUSH-MOUNT INSTALLATION****White front cover**Code: **81AXX1**

**Dimensions HxWxD (cm)** 19,3 x 19,3 x 0,3

**Weight (Kg)** 0,17

**Finishes** White fabric

**Loudspeaker**

Code (8 Ω): **SIC118**  
Code (70V / 100V): **SIC18V**

**Type** 2 way coax

**Components** Neodymium Tw, doped paper Wf

**Power RMS / Max (8 Ω)** 50 / 100

**Power RMS (70V / 100V)** 50,0 - 37,5 - 25,0

**Freq. resp. (Hz)** 65 - 20k

**Sensitivity dB (2,83V/1m)** 91,5

**Nom. impedance (Ω)** 8

**Woofer Ø (cm)** 16,0 / 1,4  
**Tweeter voice coil Ø (cm)**

**Dimensions HxWxD (cm)** 19,3 x 19,3 x 7,0

**Weight (Kg)** 1,04 / 1,44

**Frame**Code: **CC2020**

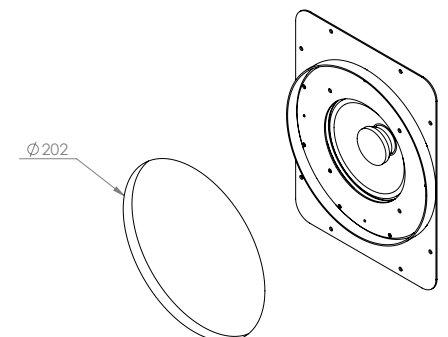
**Dimensions HxWxD (cm)** 26,0 x 20,0 x 1,5

**Installation hole plasterboard HxWxD (cm)** 20,5 x 20,5 x 8,3 **D1**

**Weight (Kg)** 0,51

**Materials** Steel

Installation hole plasterboard Ø 202



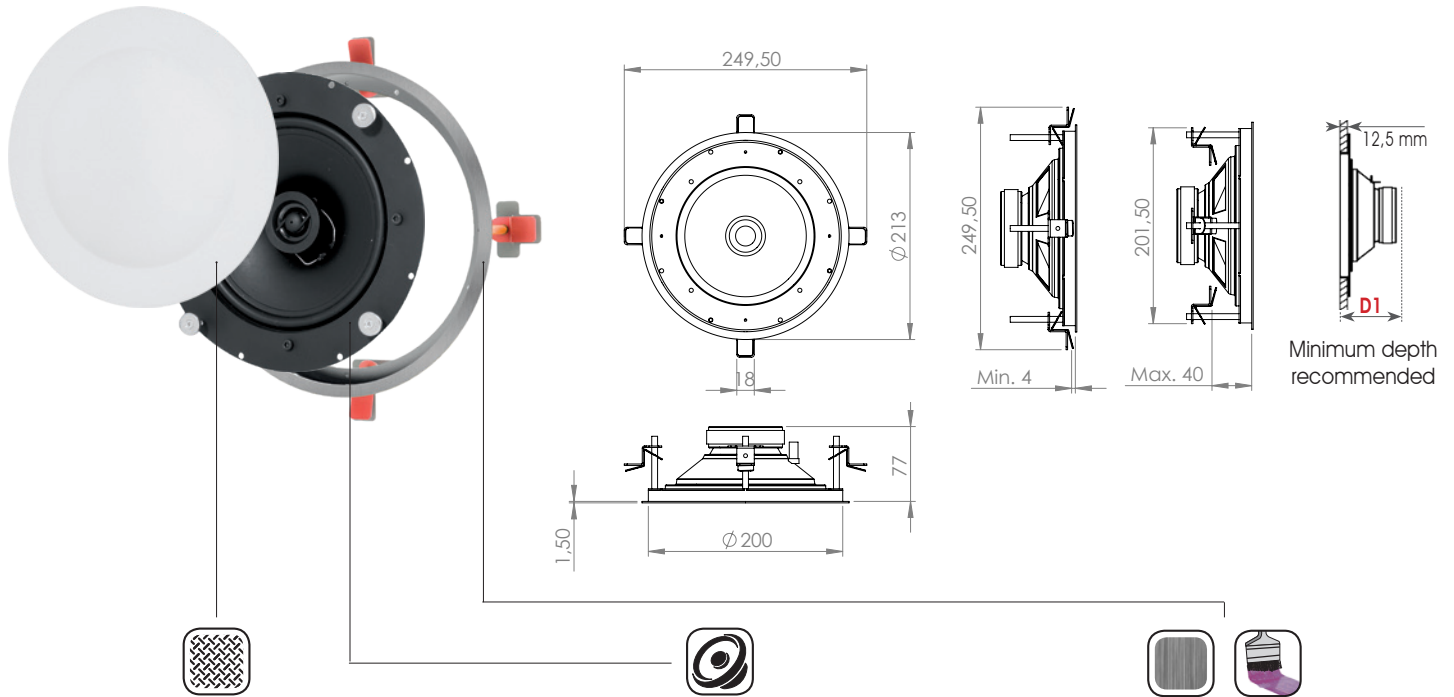
Fabric



Indoor Speaker



Plasterboard

**SIC118****SIC18V****IN-WALL FOR EASYFIT INSTALLATION****White front cover**Code: **81AXX1**

<b>Dimensions HxWxD (cm)</b>	19,3 x 19,3 x 0,3
------------------------------	-------------------

<b>Weight (Kg)</b>	0,17
--------------------	------

<b>Finishes</b>	White fabric
-----------------	--------------

**Loudspeaker**Code (8 Ω): **SIC118**  
Code (70V / 100V): **SIC18V**

<b>Type</b>	2 way coax
-------------	------------

<b>Components</b>	Neodymium Tw, doped paper Wf
-------------------	------------------------------

<b>Power RMS / Max (8 Ω)</b>	50 / 100
------------------------------	----------

<b>Power RMS (70V / 100V)</b>	50,0 - 37,5 - 25,0
-------------------------------	--------------------

<b>Freq. resp. (Hz)</b>	65 - 20k
-------------------------	----------

<b>Sensitivity dB (2,83V/1m)</b>	91,5
----------------------------------	------

<b>Nom. impedance (Ω)</b>	8
---------------------------	---

<b>Woofers Ø (cm)</b>	16,0 / 1,4
<b>Tweeter voice coil Ø (cm)</b>	

<b>Dimensions HxWxD (cm)</b>	19,3 x 19,3 x 7,0
------------------------------	-------------------

<b>Weight (Kg)</b>	1,04 / 1,44
--------------------	-------------

**Frame**Code: **CF202S**  
Code: **CF202E**

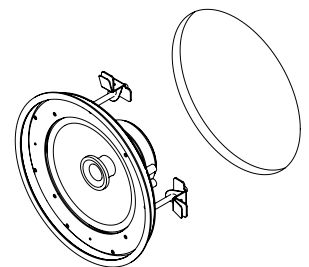
<b>Dimensions HxWxD (cm)</b>	21,3 x 21,3 x 7,5
------------------------------	-------------------

<b>Installation hole plasterboard HxWxD (cm)</b>	20,5 x 20,5 x 8,5 <b>D1</b>
--------------------------------------------------	-----------------------------

<b>Weight (Kg)</b>	0,32
--------------------	------

<b>Materials</b>	Steel
------------------	-------

INSTALLATION HOLE PLASTERBOARD Ø202



Fabric

Indoor  
Speaker

Primer

Satin  
stainless steel

# 70 / 100V Line Toroidal transformer G-Former™



## Wiring Cablaggio Câblage Verdrahtung

Connect to speaker  
*Connessione al diffusore*  
Connexion à l'enceinte  
*Verbindung zum Lautsprecher*

Connect to amplifier  
*Connessione all'amplificatore*  
Connexion à l'amplificateur  
*Verbindung zum Verstärker*

0	Violet <i>Viola</i> Violet <i>Violett</i>	50 W	Brown <i>Marrone</i> Marron <i>Braun</i>
---	----------------------------------------------------	------	---------------------------------------------------

100 V	White <i>Bianco</i> Blanc <i>Weiß</i>	37,5 W	Red <i>Rosso</i> Rouge <i>Rot</i>
-------	------------------------------------------------	--------	--------------------------------------------

70 V	Green <i>Verde</i> Vert <i>Grün</i>	25 W	Blue <i>Blu</i> Bleu <i>Blau</i>
------	----------------------------------------------	------	-------------------------------------------

Common <i>Comune</i> Câble commun <i>Gemeinsames Kabel</i>	Black <i>Nero</i> Noir <i>Schwarz</i>
---------------------------------------------------------------------	------------------------------------------------

## Specifications

Nominal power (W) <i>Potenza nominale (W)</i> Puissance nominale (W) <i>Nennleistung (W)</i>	50
-------------------------------------------------------------------------------------------------------	----

Input voltage (V) <i>Tensione d'ingresso (V)</i> Tension d'entrée (V) <i>Eingangsspannung (V)</i>	70 / 100
------------------------------------------------------------------------------------------------------------	----------

Frequency response (Hz) <i>Risp. in frequenza (Hz)</i> Rép. en fréquence (Hz) <i>Frequenzgang (Hz)</i>	40 - 21K
-----------------------------------------------------------------------------------------------------------------	----------

Output power on 8 Ω (W) <i>Potenza di uscita su 8 Ω (W)</i> Puissance de sortie sur 8 Ω (W) <i>Ausgangsleistung auf 8 Ω (W)</i>	50,0 37,5 25,0
------------------------------------------------------------------------------------------------------------------------------------------	----------------------

Dimensions H x W x D (cm) <i>Dimensioni A x L x P (cm)</i> Dimensions H x L x P (cm) <i>Abmessungen H x B x D (cm)</i>	3,1 x 6,6 x 6,6
---------------------------------------------------------------------------------------------------------------------------------	-----------------

IP Code Grado di protezione IP Indice de protection IP Schutzart	43
---------------------------------------------------------------------------	----

Weight (Kg) <i>Peso (Kg)</i> Poids (Kg) <i>Gewicht (Kg)</i>	0,39
----------------------------------------------------------------------	------

