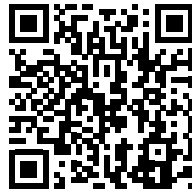
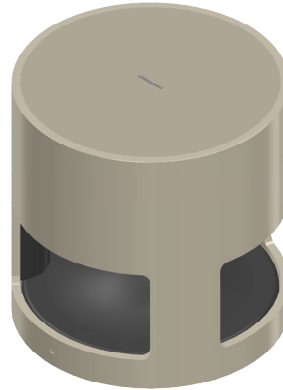




LOTO™ COLLECTION

Corian®



**SCAN OR CLICK TO EXTEND
YOUR GARVAN WARRANTY FOR FREE!**

3 years included, with the option to add
2 extra years at no additional cost.

OVERVIEW DESCRIPTION – UNIQUE DESCRIPTION PRODUCT

The Garvan SN117 is a compact 360° outdoor loudspeaker from the Loto™ Collection, engineered to deliver immersive, omnidirectional sound in gardens, terraces, pool areas, and open-air venues. Featuring a 130 mm full-range driver in a Corian® enclosure with stainless steel support and grille, it ensures both acoustic quality and weather resistance. With its balanced frequency response and robust design, the SN117 combines Made in Italy craftsmanship with durability, making it ideal for residential, hospitality, and wellness applications where elegant integration and reliable performance are essential.

KEY FEATURES

Full-range outdoor loudspeaker with 1 × 130 mm driver

Power handling: 50 W AES / 100 W continuous

Sensitivity: 88 dB (2.83V/1m and 1W/1m)

Maximum SPL: 117 dB @ 1 m

Frequency response: 68 Hz – 10 kHz (–3 dB)

Extended range: 60 Hz – 15 kHz (–10 dB)

Coverage: true 360° omnidirectional sound dispersion

Cabinet construction: Corian® frame with AISI 316L stainless steel support and grille

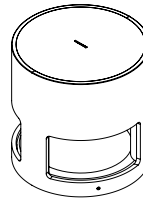
Weather resistant: built for reliable outdoor performance

Operating temperature: suitable for a wide range of conditions

Installation accessories: bases and brackets available for flexible mounting

Weight: 5.94 kg – robust yet compact design

Extended warranty: 3+1+1 years with free registration



NAME INSTALLATION	Outdoor 360°
Type Installation	Outdoor 360° speaker
Surface Compatibility	
Installation Requirements:	
SINGLE LOUDSPEAKER PERFORMANCE	
AES Power Handling	50 W
Continuous Power Handling ***	100 W
Sensitivity 2,83V / 1m ****	88 dB
Sensitivity 1W/1m ****	88dB
Calculated Maximum SPL @ 1m*	117 dB
TRANSDUCER	
Type	Full Range
Nominal size	1x 130mm
Nominal Impedance	8Ω
Loudspeaker EQ	Not required, Garvan Preset EQ, Filter and protection available
Recommended High-Pass Filter Protection	60Hz with 48 dB/Oct. High pass Filter
Frequency Response (-3 dB)	68 Hz – 10 kHz **
Frequency Range (-10 dB)	60 Hz – 15 kHz **
Nominal Coverage Angle (1 KHz - 4 kHz)	360°
Side Coverage (1500Hz - 10kHz)	-0 dB
Rear Coverage (1500Hz - 10kHz)	-0 dB
PHYSICAL	
Frame Material	Corian
Speaker support Material	AISI 316L stainless steel
Cover	AISI 316 stainless steel painted black
ENVIRONMENTAL FEATURES	
Environment of Use	Outdoor environments
Operating Temperature Range *****	
environmental protection.	
Connectors	
Maximum Ceiling Thickness	
Product Dimensions	
Ceiling Cutout	
Net Weight, Frame	
Net Weight, Loudspeaker	
Net Weight, Cover	

LOGISTICAL DATA	
Packaging dimensions	
Shipping Weight	
Quantity of products per package	1 to 2 based on logistics optimization per shipment
MAINTENANCE	
Cleaning Method	microfiber cloth
General precautions	do not use harsh cleaning products
INCLUDED ACCESSORIES	
Floor mounting base	yes
OPTIONAL ACCESSORIES	
Transformer for high line voltage	TRT055 - 70/100V - 25/37/50W
Transformer for high line voltage	
Waterproof 2-pin connector	RP0001
Turf protection plate (Ø 460 mm)	HA046H (matte black) - HA046X (brushed stainless steel)
Ground anti-theft kit	HRX031
Protective Cover	RT003A

CABLE SIZE/LOAD SUGGESTIONS			
Cable size/load	8 ohm	4 ohm	2 ohm
2 sq mm.	20m / 65ft.	10m / 32ft	5m / 16ft
2,5 sq mm.	30m / 100ft.	15m / 50ft	7,5m / 25ft
4 sq mm.	60m / 200ft.	30m / 100ft	15m / 50ft

NOTES:

* Maximum SPL calculated from sensitivity and power handling specifications, using a signal with crest factor 4 (12dB), exclusive of power compression.

** With dedicated preset

*** Power on Continuous Program is defined as 3 dB greater than the Nominal rating.

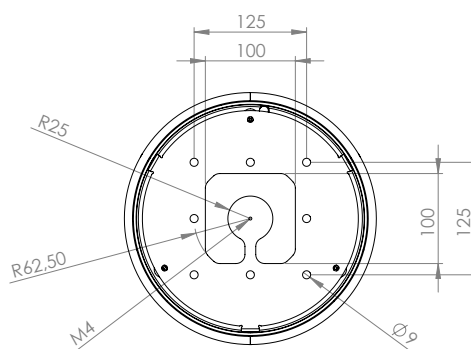
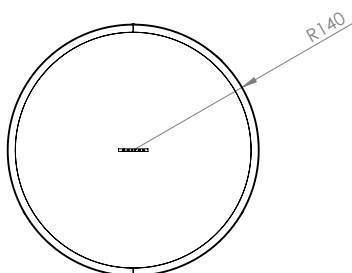
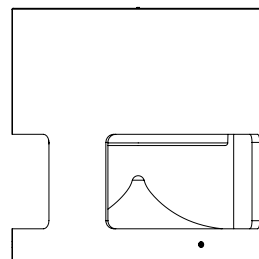
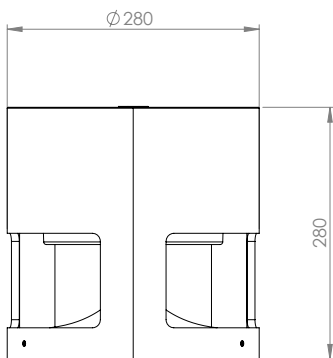
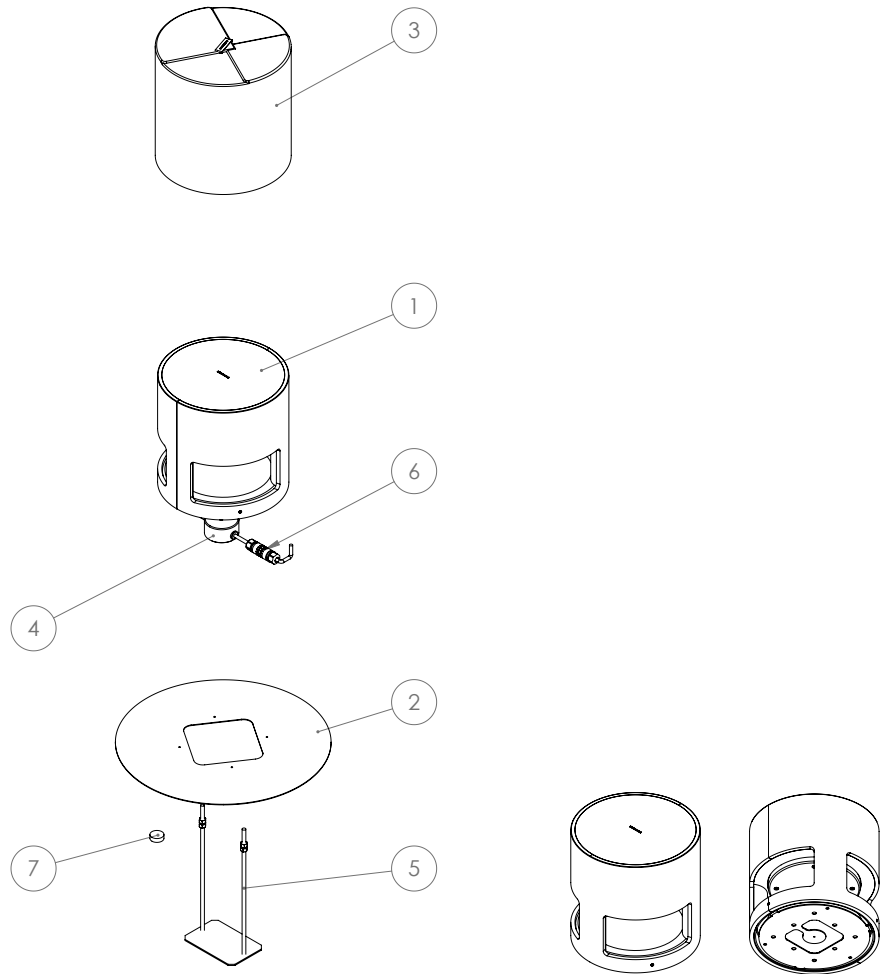
**** average SPL measured from 200 Hz to 1,5 kHz

***** With dedicated ignition and maintenance process

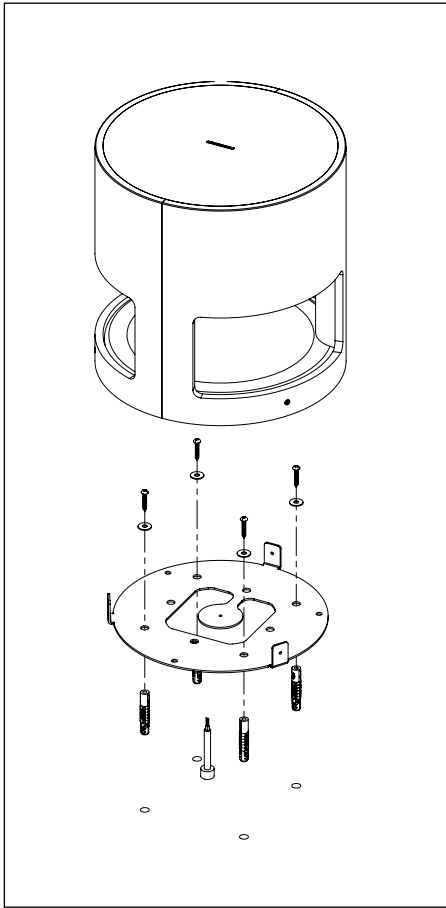
OUTDOOR 360° CODES

- ① Loudspeaker **SN117**
- AES POWER **50 W**
- TYPE **FULL RANGE**
- NOM. SIZE **1X 130 mm**
- NOM. IMP. **8Ω**

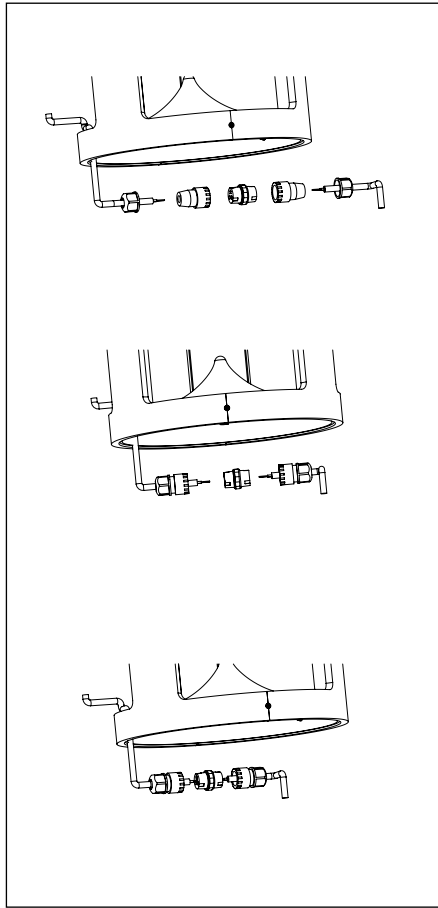
- ② Turf protection plate **HA046H - HA046X**
- ③ Protective Cover **RT003A**
- ④ Transformer for high line voltage **TRT055 - 70/100V - 25/37/50W**
- ⑤ Ground anti-theft kit **HRX031**
- ⑥ Waterproof 2-pin connector **RP0001**
- ⑦ spacers for freestanding use



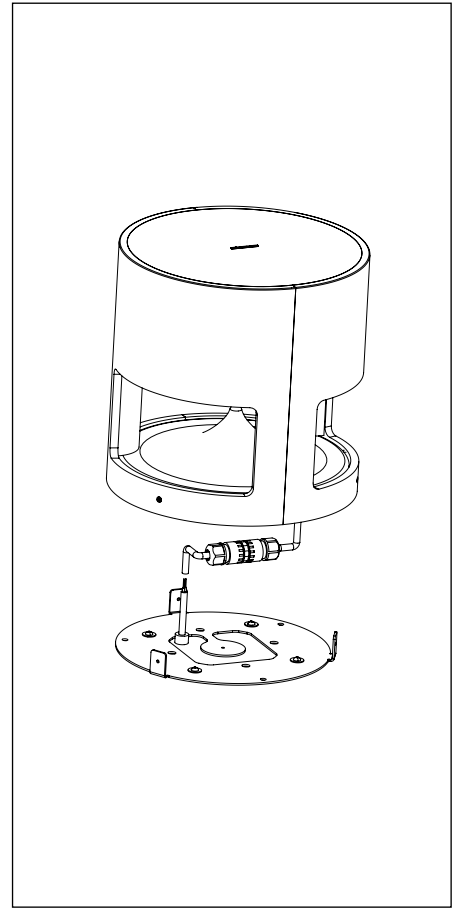
INSTALLATION INSTRUCTIONS **SN117 Outdoor 360°** **Waterproof 2-pin connector RP0001**



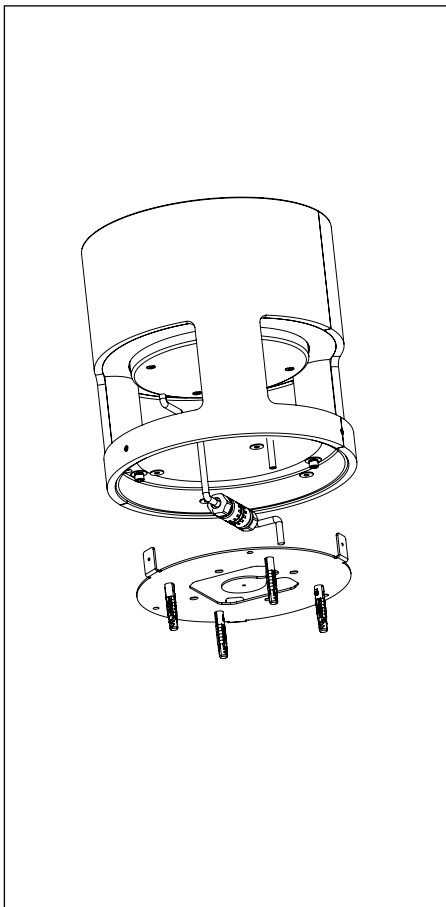
1



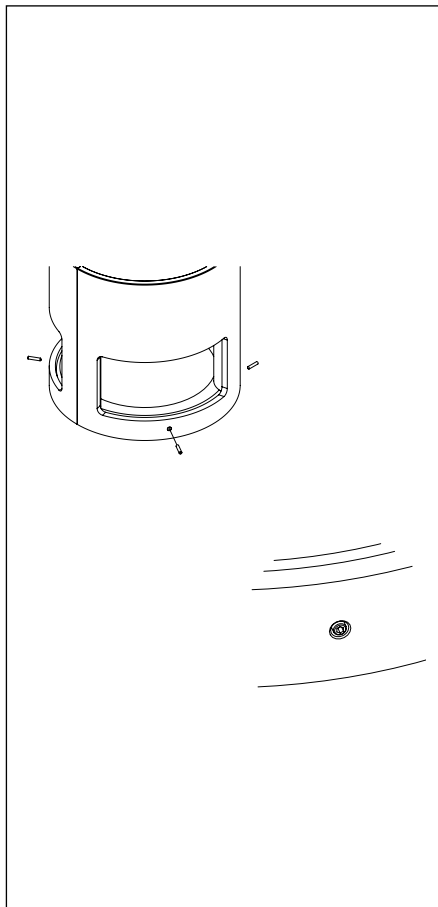
2



3

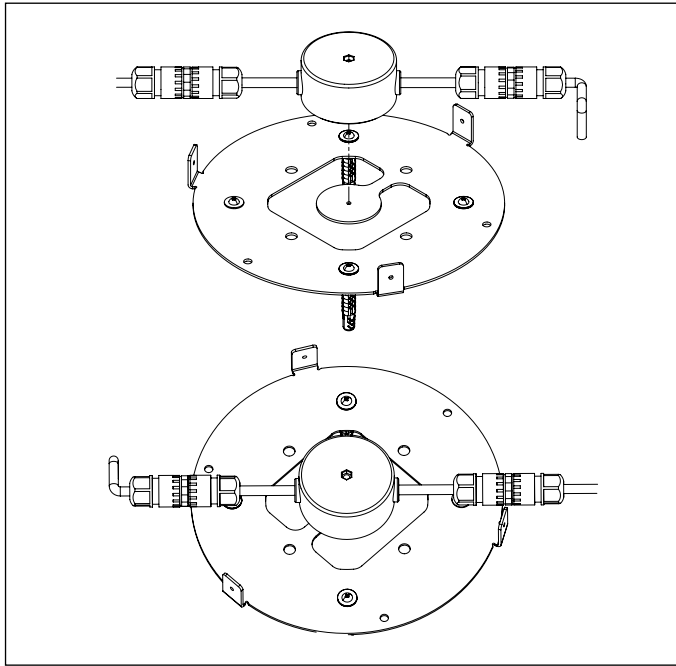


4

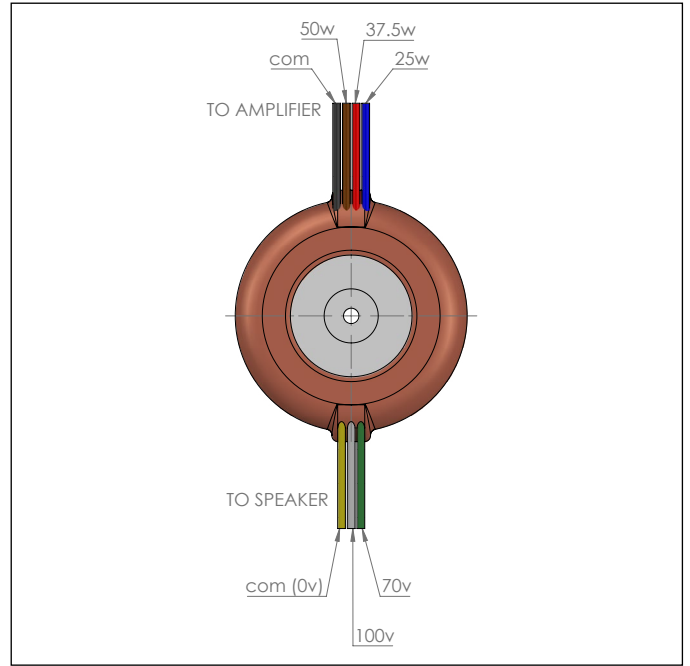


5

INSTALLATION INSTRUCTIONS **SN117 Outdoor 360°** Transformer for high line voltage **TRT055 - 70/100V - 25/37/50W**

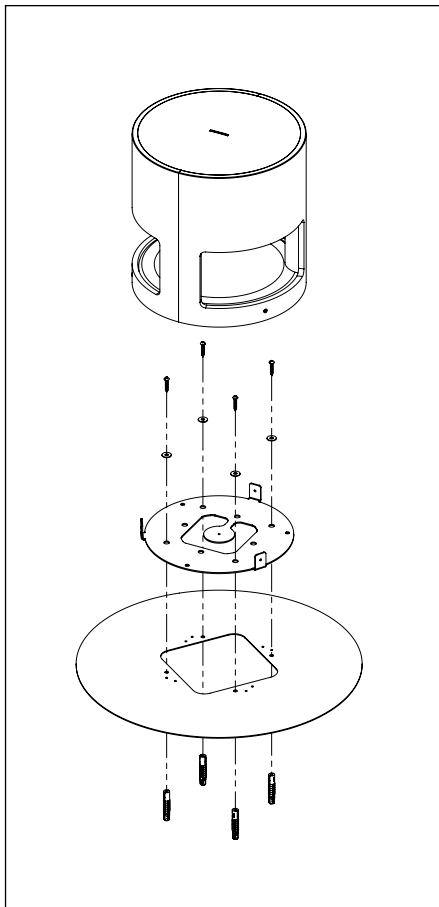


1

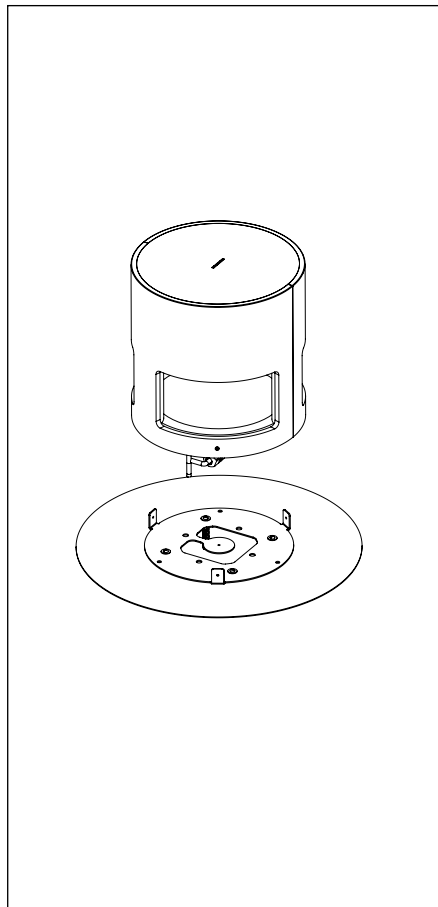


2

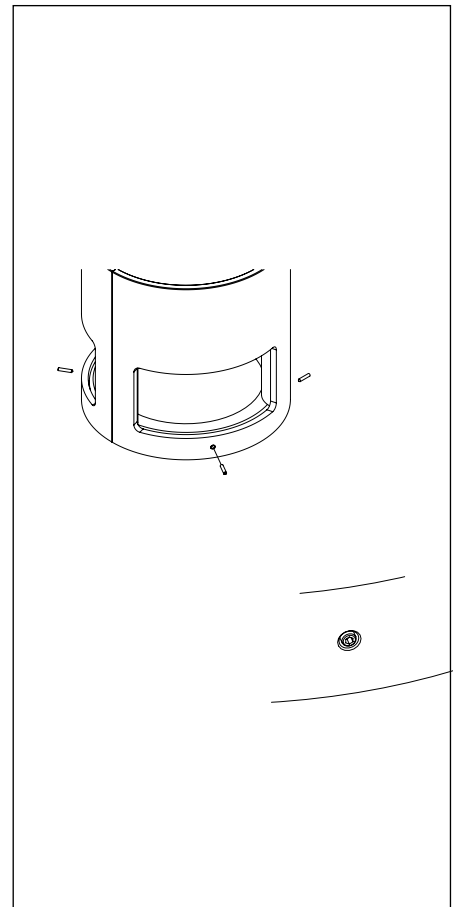
INSTALLATION INSTRUCTIONS **SN117 Outdoor 360°** Turf protection plate **HA046H - HA046X**



1

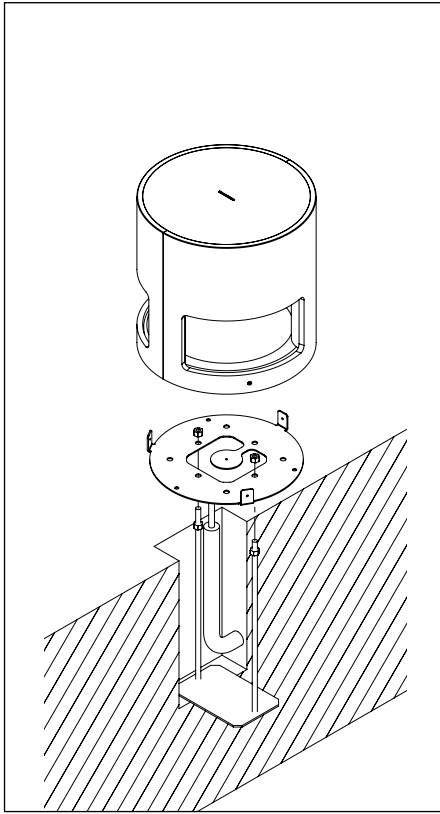


2

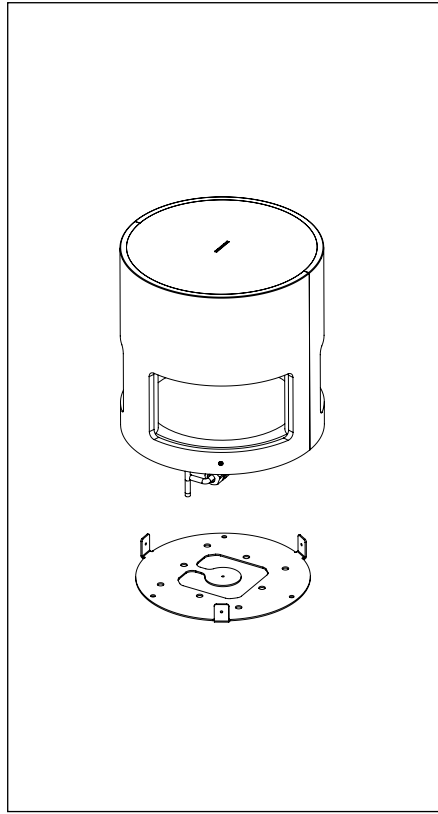


3

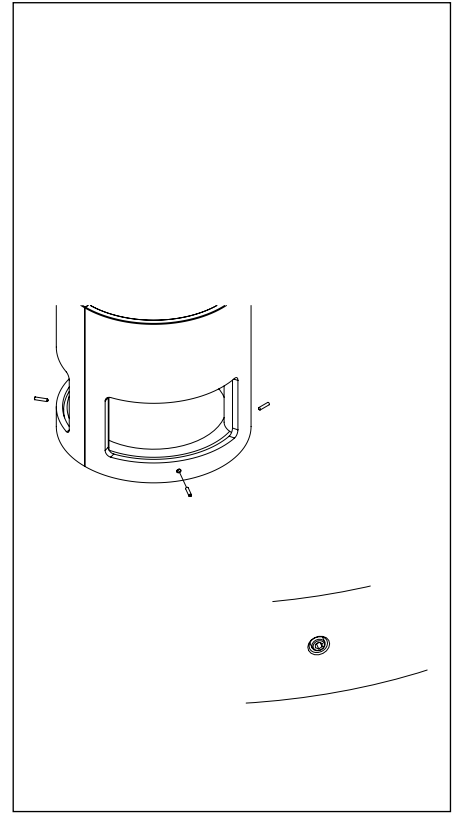
INSTALLATION INSTRUCTIONS **SN117 Outdoor 360°**
Ground anti-theft kit HRX031



1

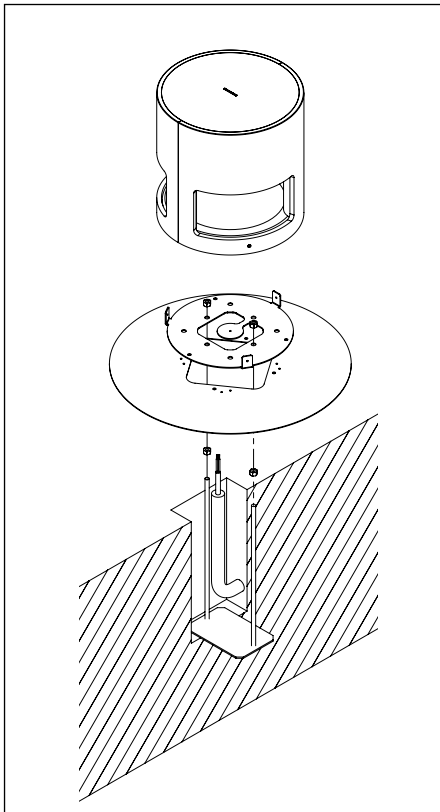


2

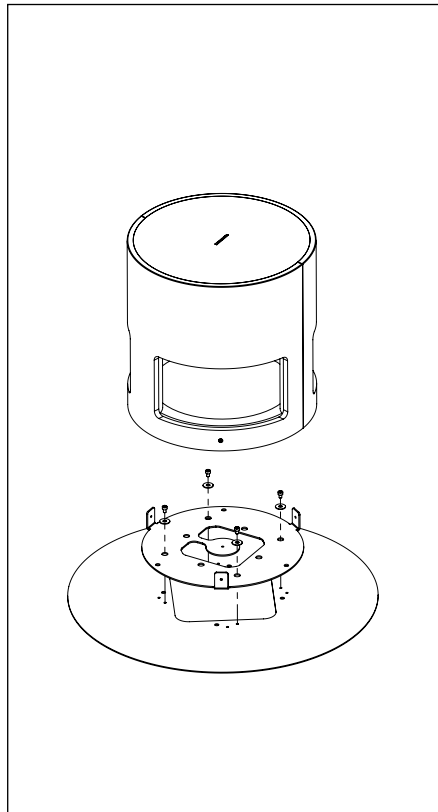


3

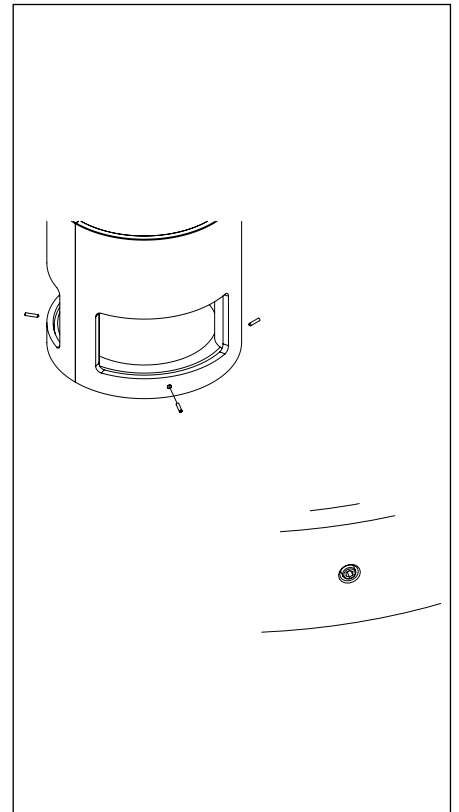
INSTALLATION INSTRUCTIONS **SN117 Outdoor 360°**
Ground anti-theft kit HRX031 + Turf protection plate HA046H - HA046X



1

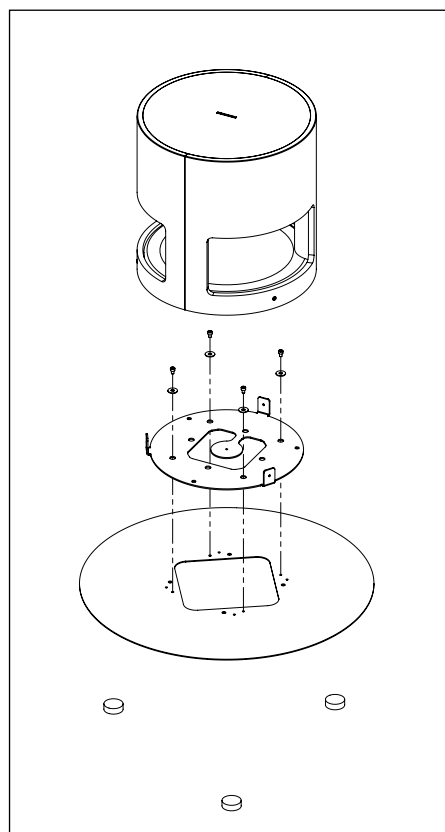


2

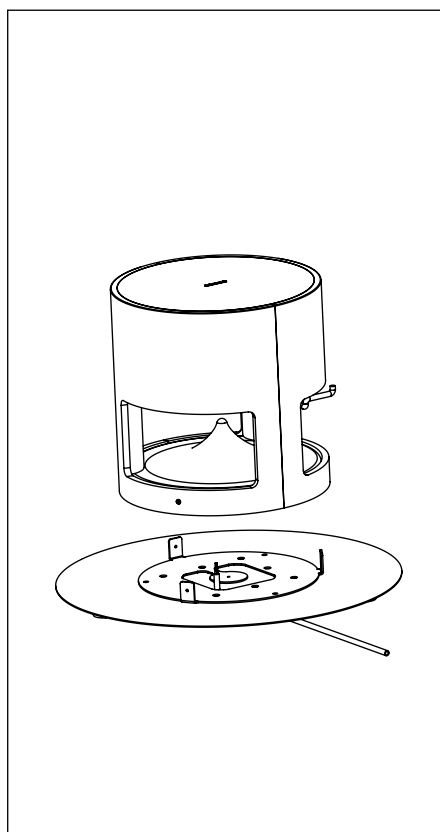


3

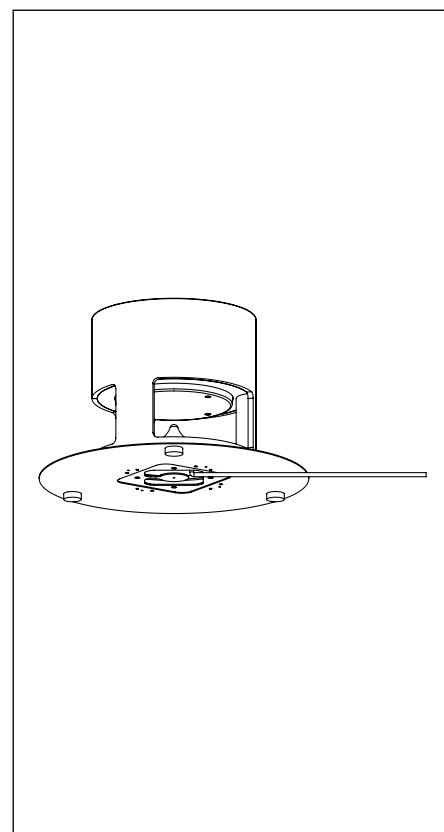
INSTALLATION INSTRUCTIONS SN117 Outdoor 360° Turf protection plate with spacers for freestanding use HA046H - HA046X



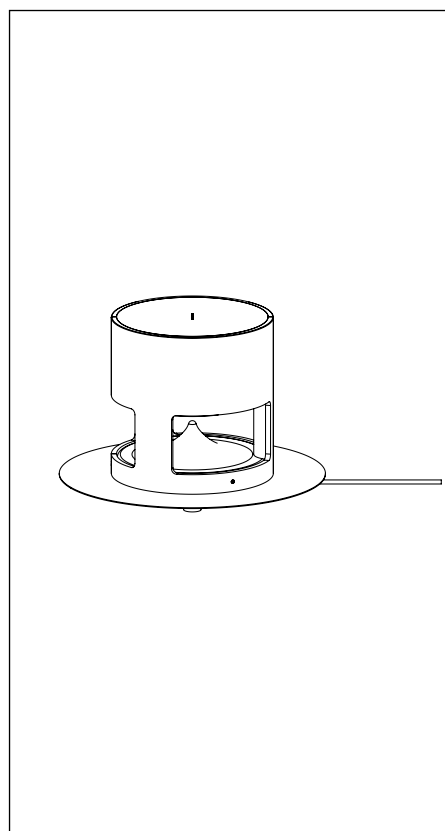
1



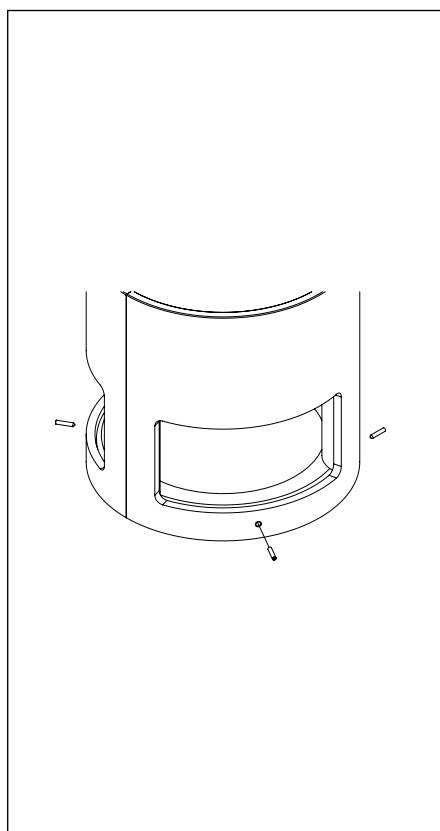
2



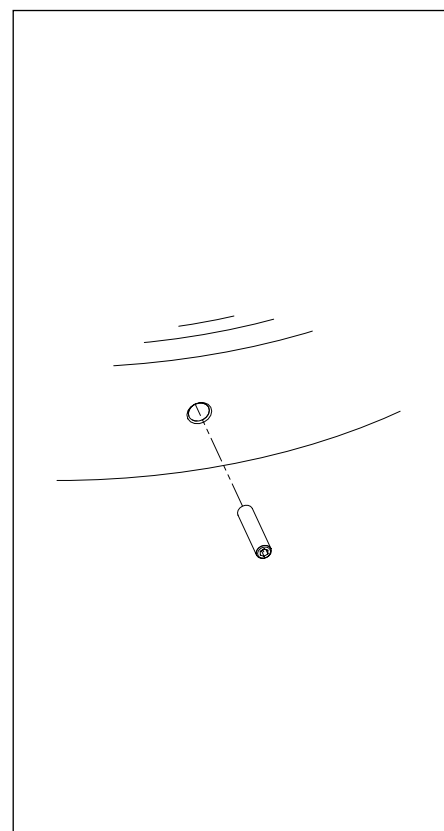
3



4



5



6