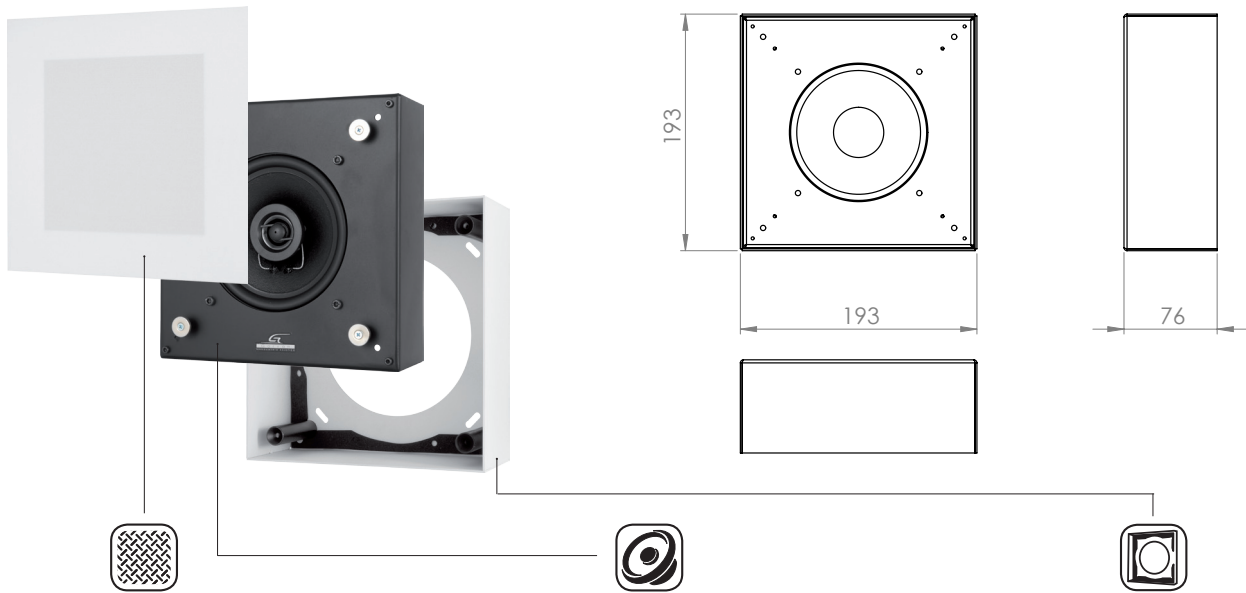


SNW112

SNW13V

STEEL FLAT LOUDSPEAKERS



White Front cover

Code: **11AXX1**

Dimensions HxWxD
(cm) 19,0 x 19,0 x 0,3

Weight (Kg) 0,19

Finishes White fabric

Loudspeaker

Code (8 Ω): **SNW112**
Code (70V / 100V): **SNW13V**

Type 2 way coax

Components Neodymium Tw, doped paper Wf

Power RMS / Max (8 Ω) 60 / 120

Power RMS W (70V / 100V) 50,0 - 37,5 - 52,0

Frequency response (Hz) 83 - 20k

Sensitivity dB (2,83V/1m) 89

Nom. impedance (Ω) 8

Woofers Ø (cm) 13,0 / 1,4
Tweeter voice coil Ø (cm)

Dimensions HxWxD
(cm) 19,0 x 19,0 x 5,8

Weight (Kg) 1,80 / 2,20

Steel Cabinet

CW195E



Cabinet with white primer ready for final coat

CW195B



RAL 9016
Gloss White

CW195F



RAL 9016
Matt white

CW195N



RAL 9005
Gloss black

CW195H



RAL 9005
Matt black

CW195Z



Corten effect
(on request)

CW195C



Lacquered in all RAL colours
(on request)

CW195S



Satin stainless steel
(on request)

Dimensions HxWxD
(cm) 19,4 x 19,4 x 7,6

Weight (Kg)

1,27



Fabric



Indoor Speaker



Cabinet Steel



Specifications

Specifiche
Caractéristiques
Spezifikationen

Link: www.garvan.it/gat

