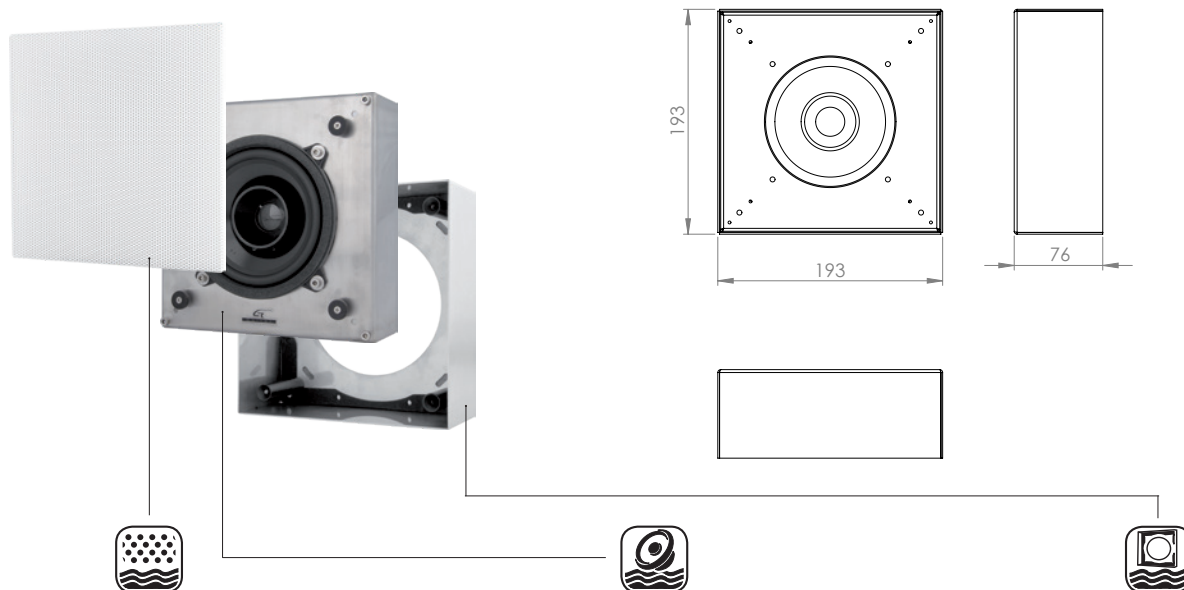


SNW14M**SNW14V**

STEEL FLAT LOUDSPEAKERS



White front cover

Code: **11BXM**F

Dimensions HxWxD (cm) 19,0 x 19,0 x 0,8

Weight (Kg) 0,18

Finishes White microperforated metal grille

Loudspeaker

Code (8 Ω): **SNW14M**
Code (70V / 100V): **SNW14V**

Type Full range

Components Glass fiber double-cone

Power RMS / Max (8 Ω) 50 / 100

Power RMS W (70V / 100V) 50,0 - 37,5 - 25,0

Freq. resp. (Hz) 85 - 20k

Sensitivity dB (2,83V/1m) 88

Nom. impedance (Ω) 8

Protection IP66
Temperature range (°C) -20 / +100

Dual Cone Ø (cm) 13,0

Dimensions HxWxD (cm) 19,0 x 19,0 x 5,8

Weight (Kg) 1,30 / 1,70

Stainless Steel Cabinet

CW196E



Cabinet with white primer ready for final coat

CW196B



RAL 9016
Gloss White

CW196F



RAL 9016
Matt white

CW196N



RAL 9005
Gloss black

CW196H



RAL 9005
Matt black

CW196Z



Corten effect
(on request)

CW196C



Lacquered in all **RAL colours**
(on request)

CW196S



Satin stainless steel
(on request)

Dimensions HxWxD (cm) 19,4 x 19,4 x 3,9

Weight (Kg)

0,66



Marine Grille



Marine Speaker



Marine Steel Cabinet

70 / 100V Line Toroidal transformer G-Former™



Wiring Cablaggio Câblage Verdrahtung

Connect to speaker
Connessione al diffusore
Connexion à l'enceinte
Verbindung zum Lautsprecher

Connect to amplifier
Connessione all'amplificatore
Connexion à l'amplificateur
Verbindung zum Verstärker

0	Violet <i>Viola</i> Violet <i>Violett</i>	50 W	Brown <i>Marrone</i> Marron <i>Braun</i>
---	--	------	---

100 V	White <i>Bianco</i> Blanc <i>Weiß</i>	37,5 W	Red <i>Rosso</i> Rouge <i>Rot</i>
-------	--	--------	--

70 V	Green <i>Verde</i> Vert <i>Grün</i>	25 W	Blue <i>Blu</i> Bleu <i>Blau</i>
------	--	------	---

Common <i>Comune</i> Câble commun <i>Gemeinsames Kabel</i>	Black <i>Nero</i> Noir <i>Schwarz</i>
---	--

Specifications

Nominal power (W) <i>Potenza nominale (W)</i> Puissance nominale (W) <i>Nennleistung (W)</i>	50
---	----

Input voltage (V) <i>Tensione d'ingresso (V)</i> Tension d'entrée (V) <i>Eingangsspannung (V)</i>	70 / 100
--	----------

Frequency response (Hz) <i>Risp. in frequenza (Hz)</i> Rép. en fréquence (Hz) <i>Frequenzgang (Hz)</i>	40 - 21K
---	----------

Output power on 8 Ω (W) <i>Potenza di uscita su 8 Ω (W)</i> Puissance de sortie sur 8 Ω (W) <i>Ausgangsleistung auf 8 Ω (W)</i>	50,0 37,5 25,0
--	----------------------

Dimensions H x W x D (cm) <i>Dimensioni A x L x P (cm)</i> Dimensions H x L x P (cm) <i>Abmessungen H x B x D (cm)</i>	3,1 x 6,6 x 6,6
---	-----------------

IP Code Grado di protezione IP Indice de protection IP Schutzart	43
---	----

Weight (Kg) <i>Peso (Kg)</i> Poids (Kg) <i>Gewicht (Kg)</i>	0,39
--	------