

WMP Controllers - Decora



Configurable controllers for control of volume, source selection and scene recall

The WMP controllers are a series of wall-mounted solutions aimed at remotely controlling system functionalities, such as zone level control and source selection. These passive controls are sharable over the network, meaning that a passive wall controller can be connected to one amplifier via GPI and control the parameters of other devices in the same network.

The controller modules are designed to fit as single gang inserts in a Decora frame. Each box contains both the white and black pieces to simplify logistics.





WMP Level

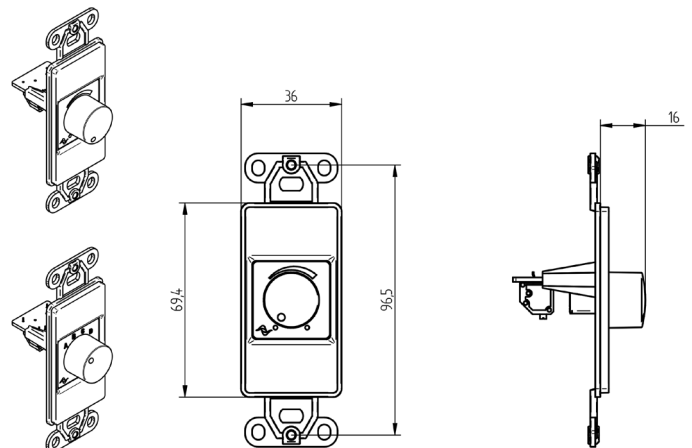
Level controllers can be configured to adjust the level attenuation of an amplifier output, or the level of single and multiple zones.

WMP Select

Selectors allow users to pick the source for one or multiple zones, and can also be used as scene selector, allowing users to choose from different system configurations.

The WMP controllers can be configured for use with the GPI pins of different Powersoft amplifiers, as per the table below.

Controller	Function	Amplifiers
	Amplifier Output Level Attenuation	Mezzo - All Models Duecanali - All Models Quattrocanali - All Models
	Zone Level	
	Zone Input Source Selection	Mezzo - All Models Duecanali - DSP+D Models Quattrocanali - DSP+D
	Scene Selection	



Specs

	WMP Level ¹	WMP Select ¹
	1x Rotary Level Potentiometer 1x Black Decora module + knob 1x White Decora module + knob	1x 4-position Rotary Switch 1x Black Decora module + knob 1x White Decora module + knob
Controller Rating	0.05 W, 10 kΩ	125 mW, 10 kΩ
Connector Type	3-pin Terminal Block (Euro 3.81mm) - 45° Angle	
Wire Gauge	16 to 30 AWG	
Max Cable Length	100 m	
¹ Black and white modules sold in the same box.		