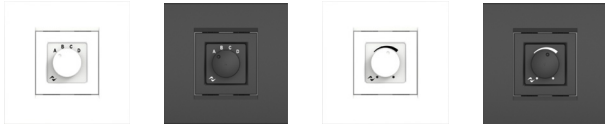


# WMP Controllers - Square



## Configurable controllers for control of volume, source selection and scene recall

The WMP controllers are a series of wall-mounted solutions aimed at remotely controlling system functionalities, such as zone level control and source selection. These passive controls are sharable over the network, meaning that a passive wall controller can be connected to one amplifier via GPI and control the parameters of other devices in the same network.

All controllers are available in black or white and fit many different back box form factors.



## WMP Level

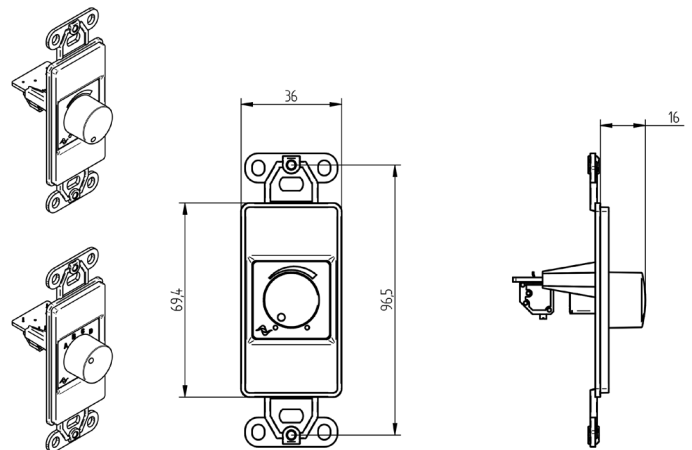
Level controllers can be configured to adjust the level attenuation of an amplifier output, or the level of single and multiple zones.

## WMP Select

Level controllers can be configured to adjust the level attenuation of an amplifier output, or the level of single and multiple zones.

Level controllers can be configured to adjust the level attenuation of an amplifier output, or the level of single and multiple zones.

Controller	Function	Amplifiers
	Amplifier Output Level Attenuation	Mezzo - All Models Duecanali - All Models Quattrocanali - All Models
	Zone Level	
	Zone Input Source Selection	Mezzo - All Models Duecanali - DSP+D Models Quattrocanali - DSP+D
	Scene Selection	



## Specs

	WMP Level <sup>1</sup>	WMP Select <sup>1</sup>
	1x Rotary Level Potentiometer 1x Black Decora module + knob 1x White Decora module + knob	1x 4-position Rotary Switch 1x Black Decora module + knob 1x White Decora module + knob
Controller Rating	0.05 W, 10 kΩ	125 mW, 10 kΩ
Connector Type	3-pin Terminal Block (Euro 3.81mm) - 45° Angle	
Wire Gauge	16 to 30 AWG	
Max Cable Length	100 m	
<sup>1</sup> Black and white modules sold in the same box.		