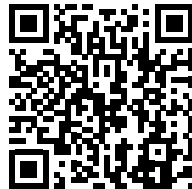
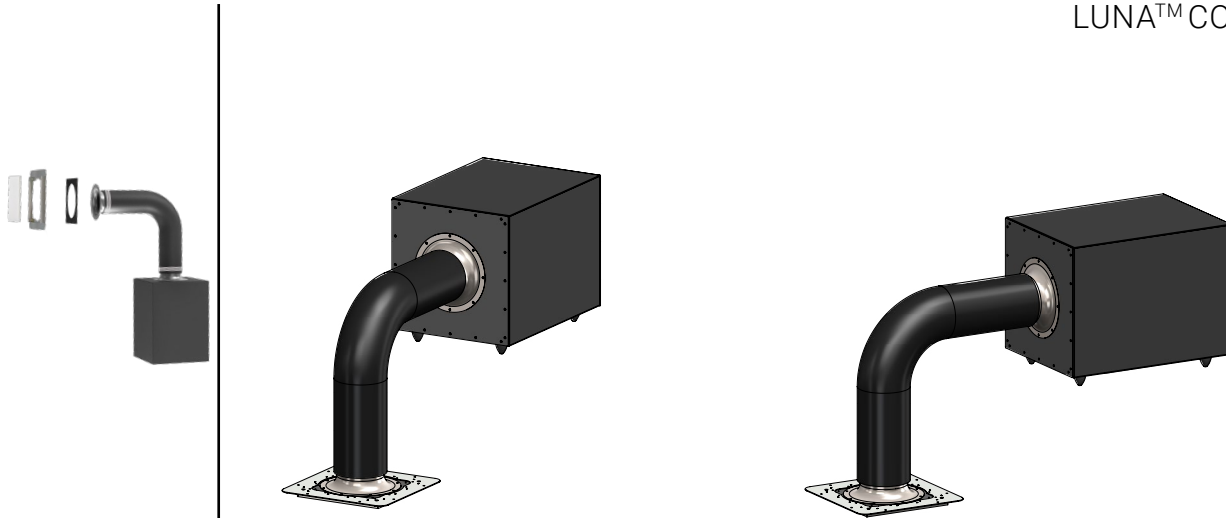




LUNA™ COLLECTION



**SCAN OR CLICK TO EXTEND
YOUR GARVAN WARRANTY FOR FREE!**

3 years included, with the option to add
2 extra years at no additional cost.

OVERVIEW DESCRIPTION – UNIQUE DESCRIPTION PRODUCT

The Garvan WX125 is a high-performance installation subwoofer from the Luna™ Collection, designed for free-standing use, integration inside furniture, or in-ceiling installations. Equipped with a 250 mm woofer in a closed-box design, it delivers powerful, extended bass with exceptional clarity, reaching as low as 26 Hz. Its flexible design, including a 70 cm flexible pipe system and compact footprint, allows discreet integration into architectural spaces. Built with a robust black painted metal cabinet, the WX125 combines Made in Italy craftsmanship with versatility, making it ideal for residential, hospitality, and commercial projects.

KEY FEATURES

Installation subwoofer with 1 × 250 mm woofer

Power handling: 300 W AES / 600 W continuous

Sensitivity: 88 dB (2.83V/1m) / 85 dB (1W/1m)

Maximum SPL: 122 dB @ 1 m

Frequency response: 26 Hz – 150 Hz (–3 dB)

Extended range: 20 Hz – 150 Hz (–10 dB)

Nominal impedance: 4 Ω

Cabinet construction: black painted metal

Installation versatility: free-standing, in furniture, or false ceiling

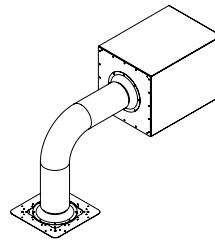
Flexible pipe system: 70 cm pipe for discreet sound output

Connectivity: push connectors, accepts 18 AWG to 11 AWG wires

Dimensions: compact form factor with minimum overall depth of 580 mm

Weight: 14.10 kg – solid yet adaptable

Extended warranty: 3+1+1 years with free registration



NAME INSTALLATION		Subwoofer
Type Installation	Free Standing / inside the furniture / inside false ceiling	
Surface Compatibility		
Installation Requirements:		
SINGLE LOUDSPEAKER PERFORMANCE		
AES Power Handling	300 W	
Continuous Power Handling ***	600 W	
Sensitivity 2,83V / 1m ****	88 dB	
Sensitivity 1W/1m ****	85 dB	
Calculated Maximum SPL @ 1m*	122 dB	
TRANSDUCER		
Type	Subwoofer	
Nominal size	1x WF 250mm	
Nominal Impedance	4 Ω	
Loudspeaker EQ	Not required, Garvan Preset EQ, Filter and protection available	
Recommended High-Pass Filter Protection	25Hz with 48 dB/Oct. High pass Filter	
Frequency Response (-3 dB)	26 Hz – 150 Hz **	
Frequency Range (-10 dB)	20 Hz – 150 Hz **	
PHYSICAL		
Cabinet / support Material	Standard black painted metal cabinet	
Cover		
ENVIRONMENTAL FEATURES		
Environment of Use	Indoor environments	
Operating Temperature Range *****		
Connectors	Push connector, mounted on crossover and on speaker coax. Accepts 18 AWG (0.8 mm ²) to 11 AWG (4,17 mm ²) size wire.	
Product Dimensions		
Ceiling Cutout		
Net Weight		
LOGISTICAL DATA		
Packaging dimensions		
Shipping Weight		
Quantity of products per package	1	
MAINTENANCE		
Cleaning Method	microfiber cloth	
General precautions	do not use harsh cleaning products	

INCLUDED ACCESSORIES			
-----------------------------	--	--	--

--	--	--	--

OPTIONAL ACCESSORIES			
-----------------------------	--	--	--

Transformer for high line voltage	TRT052 – 70/100V - 25/37/50W		
Transformer for high line voltage	TRT054 – 70/100V - 10/15/20W		
Cover installation kit	GAR136		

Cable size/load	8 ohm	4 ohm	2 ohm
2 sq mm.	20m / 65ft.	10m / 32ft	5m / 16ft
2,5 sq mm.	30m / 100ft.	15m / 50ft	7,5m / 25ft
4 sq mm.	60m / 200ft.	30m / 100ft	15m / 50ft

NOTES:			
---------------	--	--	--

* Maximum SPL calculated from sensitivity and power handling specifications, using a signal with crest factor 4 (12dB), exclusive of power compression.

** With dedicated preset

*** Power on Continuous Program is defined as 3 dB greater than the Nominal rating.

**** average SPL measured from 200 Hz to 1,5 kHz

***** With dedicated ignition and maintenance process

SUBWOOFER CODES

1 Loudspeaker **WX125**

AES POWER **300 W**
 TYPE **SUBWOOFER**
 NOM. SIZE **1X WF 250mm**
 NOM. IMP. **4 Ω**

